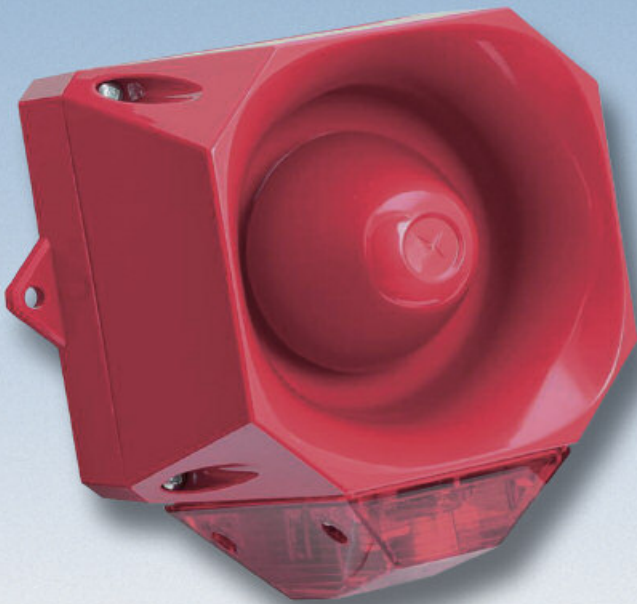


Sounder-Strobe-Combination AXL05

Loud signalling device with 32 different signals and a 2.5 Joule strobe light

- ▶ AC and DC versions
- ▶ High volume up to 112 dB(A)
- ▶ Low current consumption
- ▶ Choice of 32 different signal tones
- ▶ Strobe light 2.5 Joule
- ▶ Robust and reliable



Application

The combination consists of a loud, compact signalling device with good directivity and a 2.5 Joule strobe light. The optical and acoustic signals can be controlled separately from each other. The IP 66 housing qualifies the device for use both indoors and outdoors.

Design

The housing consists of ABS/Poly-carbonate. The sounders are equipped with 32 different tones and are therefore suitable for universal use.

The signal tone is selected with a DIP switch. All versions are designed for a two-stage alarm.

The strobe light is controlled via a separate connection terminal.

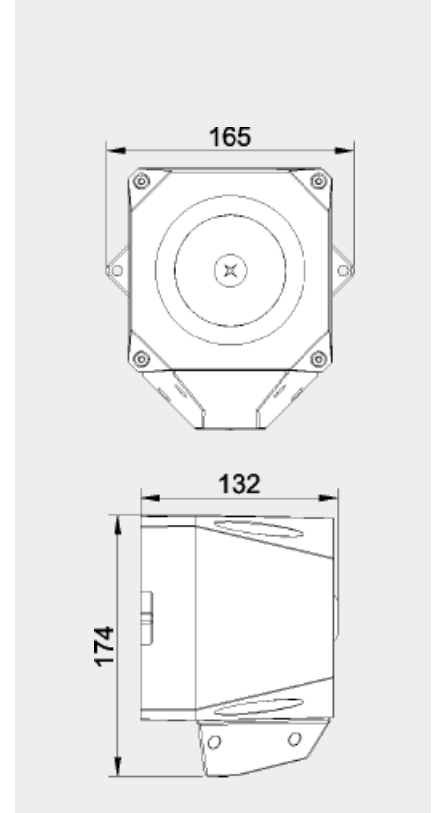
Signalling device with good directivity and a strobe light

for use indoors and outdoors.



Technical specifications

Housing	ABS
Colour	red
Cap	Polycarbonate
Protection degree	IP 66 (IEC 60529)
Cable gland	knockouts
Volume	approx. 112 dB(A)
Flash energy	2.5 Joule
Signals	32 different signal tones
Temperature range	-25 °C to +70 °C
Weight	approx. 0.8 kg



Order information

* The full article number is made up by appending the colour code for the coloured cap to the article numbers given below.

	transp.	230 V	115 V
	red	24 V	
	amber	01	010
	blue	02	020
		03	030
		05	050

Type	Name	Rated voltage V	Volume dB(A)	Art. no.*	230 V	115 V
AXL05	Sounder-Strobe-Combination	230 VAC	approx. 112	225 107
AXL05	Sounder-Strobe-Combination	115 VAC	approx. 112	225 106
AXL05	Sounder-Strobe-Combination	9 - 60 VDC	approx. 110	225 113

Subject to change without notice · Printout 04/12