

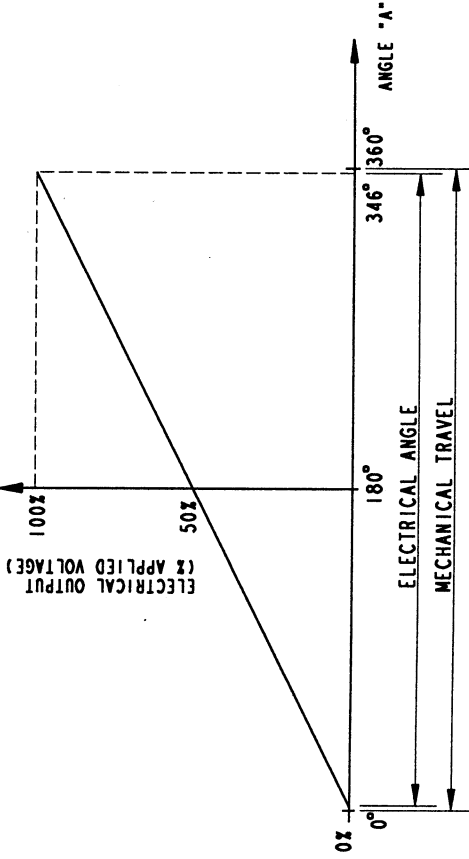
SPECIFICATION

ELECTRICAL:
 TRACK RESISTANCE (RT) 5KΩ AT 20°C ± 10°C
 RESISTANCE TOLERANCE ±30%
 PROTECTION RESISTANCE (RP) 20% OF MEASURED RT ±30%
 INDEX POINT 50% ± 2% AT 180°
 OUTPUT GRADIENT (REF. ONLY) 0.28%/°
 ELECTRICAL ANGLE 346° ± 1°
 LINEARITY (ABSOLUTE) ±2%
 MAX. VOLTAGE COEFFICIENT 30.0 V DC
 TEMPERATURE COEFFICIENT ±600 ppm/°C

MECHANICAL:

ROTATION 360°
 MAX. SPEED OF ROTATION 120 rpm
 FIXING TORQUE 2-3 Nm
 ENVIRONMENTAL (TO EST348, ES7349)
 SUMMARY OF TESTS:
 ROTATIONAL LIFE 5 000 000 FULL ROTATION
 10 000 000 DITHER CYCLES (2° ROTATION)
 TEMPERATURE RANGE -40°C TO +130°C
 VIBRATION 10-57 Hz 1mm DISPLACEMENT
 57-100 Hz 10 g
 100-500 Hz 27 g
 SHOCK (OPERATIONAL) 3 AXIS 100 x 40g 6ms (BS EN 60068-2-29)
 SHOCK (HANDLING) 1m DROP (CONCRETE)
 SEALING PRESSURE WASH (AMB TEMP & 90°C) 1000 PSI
 HUMIDITY (0.3-0.5m, 2.5min.)
 SALT SPRAY 96% RH @ 40°C (504 Hrs)
 CHEMICAL RESISTANCE 5% SOLUTION @ 40°C (336Hrs).
 DIESEL, HYDRAULIC OIL, GEARBOX OIL, ENGINE COOLANT, BRAKE FLUID DOT 4, ETHYLENE GLYCOL 50% AQUEOUS, UREA NITROGEN, LIQUID LIME, 10% AQUEOUS, 7.5% N.P.K FERTILISER, BATTERY ACID

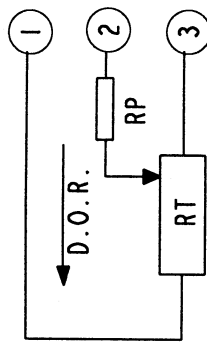
RELEVANT SEALING SPECIFICATIONS ARE VALID ONLY WHERE APPROPRIATELY SEALED ELECTRICAL CONNECTORS ARE FITTED



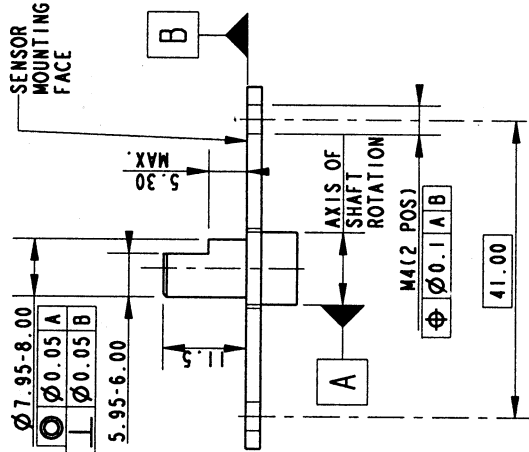
PIN 1 0 V
 PIN 3 + V

GRAPH OF NOMINAL ELECTRICAL OUTPUT AT PIN 2.

ELECTRICAL SCHEMATIC



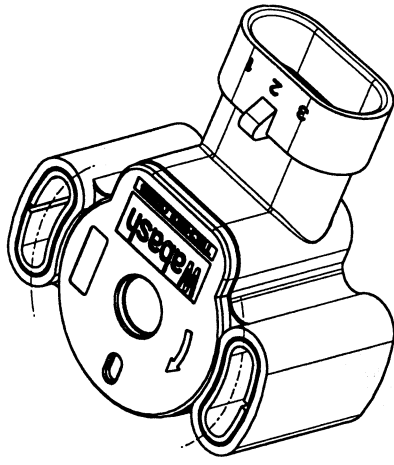
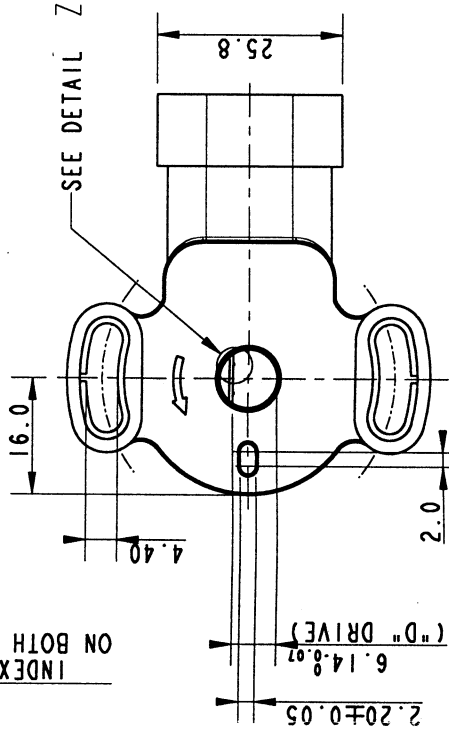
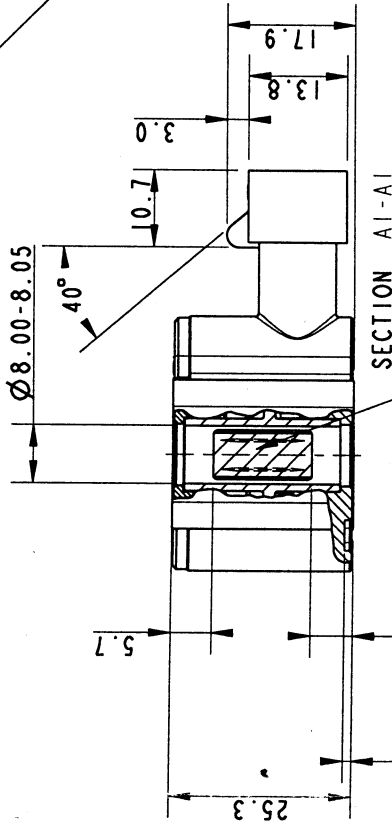
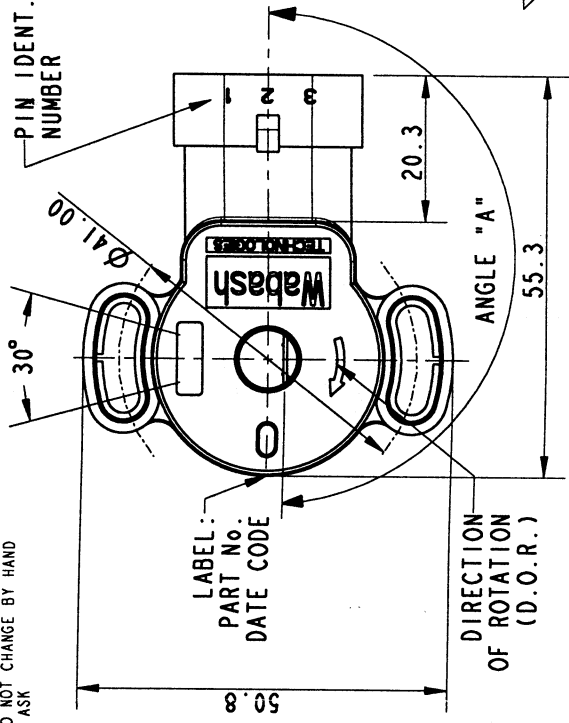
RECOMMENDED SHAFT DIMENSIONS



PIN 1 + V
 PIN 3 0 V

GRAPH OF NOMINAL ELECTRICAL OUTPUT AT PIN 2.

THIS IS A COMPUTER GENERATED DOCUMENT. DO NOT CHANGE BY HAND DO NOT SCALE - IF IN DOUBT ASK



MASS: Approx. 47 g.

By	ECO	Rev.	Date
AT		4	20.08.98
AT		5	19.10.98
AT		6	23.11.98
AT	3014	A	18.05.99
AT	3125	B	10.11.99

DISTRIBUTION LOCATIONS	
THICK FILM	M/P
MENICO	M
WITE	M
SLOVAKIA	M
	P
	P
	P

Wabash TECHNOLOGIES
Spectrol Electronics
 Spectrol Electronics Limited
 Gortard Way, Swindon, Wiltshire, SN3 3HY.
 Tel: +44 (0)1793 521351 Fax: +44 (0)1793 539255

Date: 20.08.98
 Checked: [Signature] 22/11/99
 Approved: [Signature] 24/11/99
 Approved: [Signature] 24/11/99

Drawn: A. Theban
 Date: 20.08.98

ANGULAR 0° - ± 1° & 0.0° - ± 0.5°
 SURFACE FINISH 0.0 - ±0.5mm Machined - 1.6 microns
 0.00 - ±0.3mm Moulded - 2.24-3.15 microns

© This document and the copyright therein are the property of Spectrol Electronics Limited and may not be disclosed to any third party without prior written consent.

Material: -
 Finish: -

Sheet 1 of 1 Scale 1:1 @ A3
 Drawing No. 1-1036-0002 Rev. B