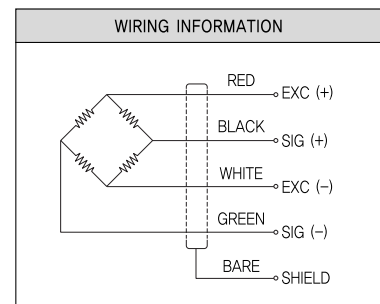
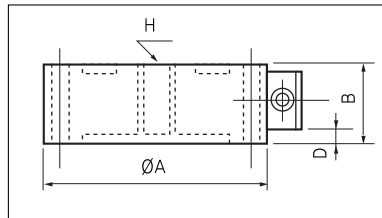
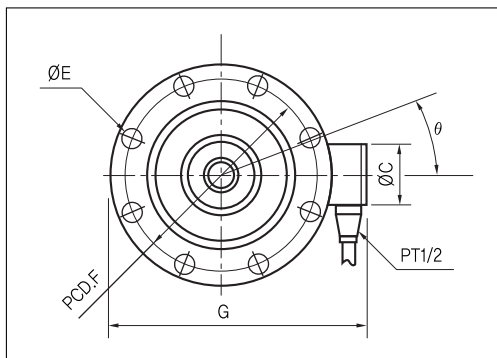
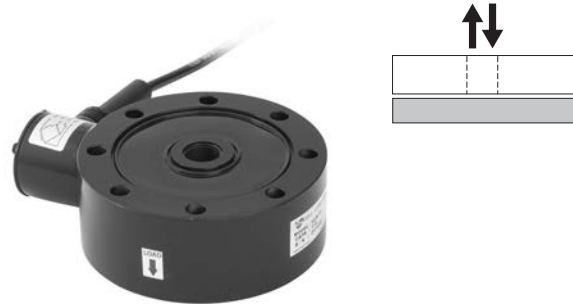


Low Profile Tension or Compression Load Cells

>Model UL, UL272

Applicable for both compression and tension methods.
 Being tough against twisting momentum, most suitable for load fatigue testing repeat test of load etc.
 UL : Painted finished steel, Protection Class IP67.
 ULH : Nikel planted steel



>SPECIFICATIONS

Specifications	Accuracy		
	UL	ULH	UL272
Rated capacity(R.C.)	500kgf, 1tf, 2tf, 5tf, 10tf, 20tf, 30tf, 50tf, 100tf, 200tf, 300tf, 500tf	500kgf, 1tf, 2tf, 5tf, 10tf, 20tf, 50tf	1.5tf, 2tf, 3tf, 4tf, 5tf, 7tf, 8tf, 14tf
Rated output(R.O.)	2mV/V±0.1%	2mV/V±0.1%	2mV/V±0.1%
Nonlinearity	0.05% of R.O.(300tf~500tf : 0.5%)	0.02% of R.O.	0.1% of R.O.
Hysteresis	0.05% of R.O.(300tf~500tf : 0.5%)	0.02% of R.O.	0.1% of R.O.
Repeatability	0.03% of R.O.(300tf~500tf : 0.05%)	0.02% of R.O.	0.05% of R.O.
Zero balance	±2% of R.O.	±2% of R.O.	±2% of R.O.
Temperature effect on rated output	0.05% of LOAD/10°C	0.03% of LOAD/10°C	0.05% of LOAD/10°C
Temperature effect on zero balance	0.05% of R.O./10°C	0.03% of R.O./10°C	0.05% of R.O./10°C
Temperature range, compensated	-10~60°C	-10~60°C	-10~60°C
Temperature range, safe	-20~80°C	-20~80°C	-20~70°C
Terminal resistance, input	700±5Ω	700±50Ω	700±50Ω
Terminal resistance, output	700±3Ω	700 ±3Ω	700 ±3Ω
Insulation resistance bridge/case	2000MΩ	2000MΩ	2000MΩ
Excitation recommended	10V	10V	10V
Safe overload	150% R.C.	150% R.C.	150% R.C.
Cable length	Ø7mm 4core, 3m	Ø7mm 4core, 3m	Ø7mm 4core, 3m

>DIMENSIONS TABLE

unit:mm

Capacity	ØA	B	ØC	D	E	F	G	H	
500kgf (4.903kN)	88	25	22	1.5	6-Ø6.5	75	108	M12×1.25	1
1tf (9.807kN)	118	46	43	1.5	8-Ø9	100	153	M18×1.5	3
2tf (19.61kN)	118	46	43	1.5	8-Ø9	100	153	M18×1.5	
5tf (49.03kN)	118	46	43	1.5	8-Ø9	100	153	M18×1.5	
10tf (98.07kN)	178	65	43	11	8-Ø13	155	215	M24×2	9
20tf (196.1kN)	178	65	43	11	8-Ø13	155	215	M39×2	
50tf (490.3kN)	226	100	43	28.5	12-Ø18	190	266	M50×2	23
100tf (980.7kN)	310	130	43	43.5	16-Ø22	260	350	M76×3	60
200tf (1961kN)	380	170	43	63	16-Ø38	315	420	M100×3	90
300tf (2942kN)	450	200	50	75	16-Ø45	365	490	M140×3	180
500tf (4903kN)	496	300	70	115	16-Ø52	420	536	M180×3	245

Model	UL272								
Capacity	ØA	B	ØC	D	E	F	G	ØH	
UL272, 1.5tf~5tf	118	46	40	3	8-Ø9 hole	100	153	M27 x 2	
UL272, 7tf, 8tf	144	55	40	7.5	8-Ø11 hole	120	178	M27 x 2	
UL272, 14tf	157	64	40	12	8-Ø14 hole	135	192	M39 x 2	

★Specifications are subject to change without notice.