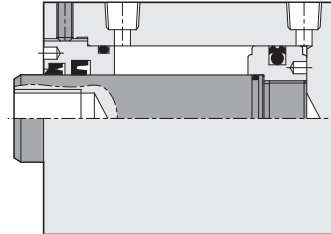
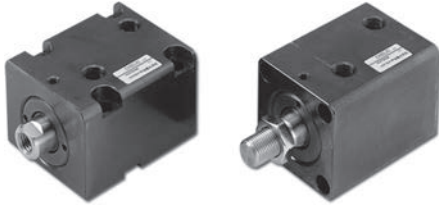


HC series - Compact hydraulic cylinder

Operation specification and Ordering expression

CHELIC PNEUMATIC

Internal structure



SCR(L)

Swing
Clamp
Cylinder

HER

Double Rod
Swing Clamp
Cylinder

HGR(L)

Horizontal
Swing Clamp
Cylinder

HSR(L)

Pneumatic
Swing Clamp
Cylinder

HBR(L)

Pneumatic
Swing Clamp
Cylinder

HFR(L)

Pneumatic
Swing Clamp
Cylinder

HUR(L)

Hydraulic
Swing Clamp
Cylinder

HUK

Hydraulic
Compact
Cylinder

HN

Threaded
Body
Cylinder

HS

Hydraulic
Support
Cylinder

HCF

Compact
Hydraulic
Cylinder

HCS

Compact
Hydraulic
Cylinder

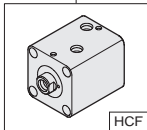
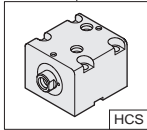
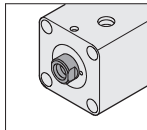
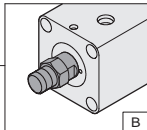
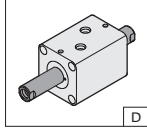
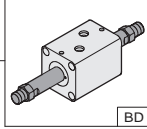
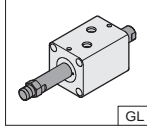
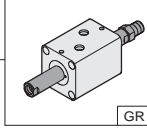
HQC

Compact
Hydraulic
Cylinder

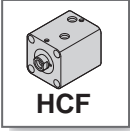
Specification

| Item | Bore size (mm) | Ø20 | Ø25 | Ø32 | Ø40 | Ø50 | Ø63 | Ø80 |
|-------------------|---------------------------|--|-----|-----|-----|-----|-----|-----|
| Stroke range | mm | 40 | 50 | 60 | 80 | 90 | 100 | |
| Operation | | Double acting | | | | | | |
| Fluid | | Clean oil (ISO - VG68) | | | | | | |
| Mounting type | | Front mounting (HCF) , Side mounting (HCS) | | | | | | |
| Pressure range | kgf/cm ² (Kpa) | 2 ~ 140 (200 ~ 14000) | | | | | | |
| Temperature range | °C | -10 C ~ +60°C | | | | | | |
| Material | | Carbon steel | | | | | | |

How to order

| | | | | | | | |
|--|---|---|---|---|---|---|---|
| HCF | 50 | × | 30 | - | B | - | Z |
| Model | Bore size | | Stroke | | End rod type | | Adjustabl |
|  <p>HCF : Front mounting</p>  <p>HCS : Side mounting</p> | 20 - Ø20 mm 25 - Ø25 mm 32 - Ø32 mm 40 - Ø40 mm 50 - Ø50 mm 63 - Ø63 mm 80 - Ø80 mm | | Ø20-5 ~ 40 mm Ø25-5 ~ 50 mm Ø32-5 ~ 60 mm Ø40-5 ~ 80 mm Ø50-5 ~ 90 mm Ø63-5 ~ 100 mm Ø80-5 ~ 100 mm | |  <p>None : Female thread</p>  <p>B : Male thread</p>  <p>D : Double female thread type</p>  <p>BD : Double male thread</p>  <p>GL : Left male thread</p>  <p>GR : Right male thread</p> | | None : Standard Z : Adjust 25 mm L : Adjust 50 mm |

■ Specification : Ø20-Ø63



HC series - Compact hydraulic cylinder

Weight

CHELIC PNEUMATIC

Weight

Unit : kg

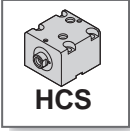
| Bore | Ø20 | | Ø25 | | Ø32 | | | | Ø40 | | | | Ø50 | | | | Ø63 | | | | Ø80 | |
|------|------|------|------|------|------|------|------|------|------|------|------|------|------|------|------|------|------|------|-------|-------|-------|-------|
| | HCF | | HCF | | HCF | | HCS | | HCF | | HCS | | HCF | | HCS | | HCF | | HCS | | HCF | |
| | | B | | B | | B | | B | | B | | B | | B | | B | | B | | B | | B |
| 5 | 0.64 | 0.69 | 0.88 | 0.93 | 1.61 | 1.71 | 1.72 | 1.82 | 2.00 | 2.20 | 2.21 | 2.41 | 2.78 | 3.03 | 3.27 | 3.52 | 4.24 | 4.69 | 5.28 | 5.73 | 7.46 | 8.31 |
| 10 | 0.63 | 0.68 | 0.87 | 0.92 | 1.73 | 1.83 | 1.71 | 1.81 | 2.15 | 2.35 | 2.19 | 2.39 | 2.96 | 3.21 | 3.24 | 3.49 | 4.48 | 4.93 | 5.22 | 5.67 | 7.80 | 8.65 |
| 15 | 0.75 | 0.80 | 1.02 | 1.07 | 1.85 | 1.95 | 1.98 | 2.08 | 2.30 | 2.50 | 2.55 | 2.75 | 3.14 | 3.39 | 3.71 | 3.96 | 4.72 | 5.17 | 5.90 | 6.35 | 8.14 | 8.99 |
| 20 | 0.74 | 0.79 | 1.01 | 1.06 | 1.97 | 2.07 | 1.97 | 2.07 | 2.45 | 2.65 | 2.53 | 2.73 | 3.32 | 3.57 | 3.68 | 3.93 | 4.96 | 5.41 | 5.84 | 6.29 | 8.48 | 9.33 |
| 25 | 0.86 | 0.91 | 1.16 | 1.21 | 2.09 | 2.19 | 2.24 | 2.34 | 2.60 | 2.80 | 2.89 | 3.09 | 3.50 | 3.75 | 4.15 | 4.40 | 5.20 | 5.65 | 6.52 | 6.97 | 8.82 | 9.67 |
| 30 | 0.85 | 0.90 | 1.15 | 1.20 | 2.21 | 2.31 | 2.23 | 2.33 | 2.75 | 2.95 | 2.87 | 3.07 | 3.68 | 3.93 | 4.12 | 4.37 | 5.44 | 5.89 | 6.46 | 6.91 | 9.16 | 10.01 |
| 35 | 0.97 | 1.02 | 1.30 | 1.35 | 2.46 | 2.56 | 2.50 | 2.60 | 3.07 | 3.27 | 3.23 | 3.43 | 4.07 | 4.32 | 4.59 | 4.84 | 5.98 | 6.43 | 7.14 | 7.59 | 9.93 | 10.78 |
| 40 | 0.96 | 1.01 | 1.29 | 1.34 | 2.45 | 2.55 | 2.49 | 2.59 | 3.05 | 3.25 | 3.21 | 3.41 | 4.04 | 4.29 | 4.56 | 4.81 | 5.92 | 6.37 | 7.08 | 7.53 | 9.84 | 10.69 |
| 45 | — | — | 1.44 | 1.49 | 2.70 | 2.80 | 2.76 | 2.86 | 3.37 | 3.57 | 3.57 | 3.77 | 4.43 | 4.68 | 5.03 | 5.28 | 6.46 | 6.91 | 7.76 | 8.21 | 10.61 | 11.46 |
| 50 | — | — | 1.43 | 1.48 | 2.69 | 2.79 | 2.75 | 2.85 | 3.35 | 3.55 | 3.55 | 3.75 | 4.40 | 4.65 | 5.00 | 5.25 | 6.40 | 6.85 | 7.70 | 8.15 | 10.52 | 11.37 |
| 60 | — | — | — | — | 2.93 | 3.03 | 3.01 | 3.11 | 3.65 | 3.85 | 3.89 | 4.09 | 4.76 | 5.01 | 5.44 | 5.69 | 6.88 | 7.33 | 8.32 | 8.77 | 11.20 | 12.05 |
| 70 | — | — | — | — | 3.17 | 3.27 | 3.27 | 3.37 | 3.95 | 4.15 | 4.23 | 4.43 | 5.12 | 5.37 | 5.88 | 6.13 | 7.36 | 7.81 | 8.94 | 9.39 | 11.88 | 12.73 |
| 80 | — | — | — | — | 3.41 | 3.51 | 3.53 | 3.63 | 4.25 | 4.45 | 4.57 | 4.77 | 5.48 | 5.73 | 6.32 | 6.57 | 7.84 | 8.29 | 9.56 | 10.01 | 12.56 | 13.41 |
| 90 | — | — | — | — | 3.65 | 3.75 | 3.79 | 3.89 | 4.55 | 4.75 | 4.91 | 5.11 | 5.84 | 6.09 | 6.76 | 7.01 | 8.32 | 8.77 | 10.18 | 10.63 | 13.24 | 14.09 |
| 100 | — | — | — | — | 3.89 | 3.99 | 4.05 | 4.15 | 4.85 | 5.05 | 5.25 | 5.45 | 6.20 | 6.45 | 7.20 | 7.45 | 8.80 | 9.25 | 10.80 | 11.25 | 13.92 | 14.77 |

※ None : Female thread : B : Male thread

Unit : kg

| Bore | Ø32 | | | | | | Ø40 | | | | | | Ø50 | | | | | | Ø63 | | | | | | Ø80 | | | | | |
|------|------|------|-------|------|------|-------|------|------|-------|------|------|-------|------|------|-------|------|------|-------|------|------|-------|------|------|-------|-------|-------|-------|--|--|--|
| | HCF | | | HCF | | | HCF | | | HCF | | | HCF | | | HCF | | | HCF | | | HCF | | | HCF | | | | | |
| | D | BD | GL,GR | D | BD | GL,GR | D | BD | GL,GR | D | BD | GL,GR | D | BD | GL,GR | D | BD | GL,GR | D | BD | GL,GR | D | BD | GL,GR | D | BD | GL,GR | | | |
| 5 | 1.89 | 2.06 | 1.97 | 1.90 | 2.07 | 1.99 | 2.37 | 2.71 | 2.54 | 2.45 | 2.79 | 2.62 | 3.22 | 3.65 | 3.44 | 3.63 | 4.05 | 3.84 | 4.85 | 5.61 | 5.23 | 5.59 | 6.35 | 5.98 | 10.18 | 11.63 | 10.90 | | | |
| 10 | 1.89 | 2.06 | 1.97 | 1.90 | 2.07 | 1.99 | 2.37 | 2.71 | 2.54 | 2.45 | 2.79 | 2.62 | 3.22 | 3.65 | 3.43 | 3.62 | 4.05 | 3.84 | 4.83 | 5.59 | 5.21 | 5.58 | 6.34 | 5.96 | 10.15 | 11.60 | 10.88 | | | |
| 15 | 2.11 | 2.28 | 2.20 | 2.14 | 2.31 | 2.23 | 2.66 | 3.00 | 2.83 | 2.77 | 3.11 | 2.94 | 3.58 | 4.00 | 3.79 | 4.05 | 4.47 | 4.26 | 5.32 | 6.08 | 5.70 | 6.18 | 6.95 | 6.57 | 10.87 | 12.31 | 11.59 | | | |
| 20 | 2.11 | 2.28 | 2.20 | 2.14 | 2.31 | 2.23 | 2.66 | 3.00 | 2.83 | 2.77 | 3.11 | 2.94 | 3.57 | 4.00 | 3.79 | 4.04 | 4.47 | 4.26 | 5.30 | 6.07 | 5.68 | 6.17 | 6.93 | 6.55 | 10.84 | 12.28 | 11.58 | | | |
| 25 | 2.34 | 2.51 | 2.42 | 2.38 | 2.55 | 2.47 | 2.94 | 3.28 | 3.11 | 3.09 | 3.43 | 3.26 | 3.93 | 4.36 | 4.14 | 4.47 | 4.90 | 4.68 | 5.79 | 6.56 | 6.17 | 6.78 | 7.54 | 7.16 | 11.55 | 12.99 | 12.27 | | | |
| 30 | 2.34 | 2.51 | 2.42 | 2.39 | 2.56 | 2.47 | 2.95 | 3.29 | 3.12 | 3.10 | 3.44 | 3.27 | 3.93 | 4.35 | 4.14 | 4.47 | 4.89 | 4.68 | 5.77 | 6.54 | 6.15 | 6.76 | 7.52 | 7.14 | 11.52 | 12.97 | 12.25 | | | |
| 35 | 2.56 | 2.73 | 2.65 | 2.63 | 2.80 | 2.71 | 3.23 | 3.57 | 3.40 | 3.42 | 3.76 | 3.59 | 4.28 | 4.71 | 4.50 | 4.89 | 5.32 | 5.10 | 6.26 | 7.03 | 6.64 | 7.37 | 8.13 | 7.75 | 12.23 | 13.68 | 12.96 | | | |
| 40 | 2.56 | 2.73 | 2.65 | 2.63 | 2.80 | 2.71 | 3.23 | 3.57 | 3.40 | 3.42 | 3.76 | 3.59 | 4.28 | 4.71 | 4.49 | 4.89 | 5.31 | 5.10 | 6.24 | 7.01 | 6.63 | 7.35 | 8.11 | 7.73 | 12.21 | 13.65 | 12.93 | | | |
| 45 | 2.79 | 2.96 | 2.87 | 2.87 | 3.04 | 2.95 | 3.52 | 3.86 | 3.69 | 3.74 | 4.08 | 3.91 | 4.64 | 5.06 | 4.85 | 5.31 | 5.74 | 5.52 | 6.73 | 7.50 | 7.12 | 7.96 | 8.72 | 8.34 | 12.92 | 14.35 | 13.64 | | | |
| 50 | 2.79 | 2.96 | 2.87 | 2.87 | 3.04 | 2.96 | 3.52 | 3.86 | 3.69 | 3.74 | 4.08 | 3.91 | 4.63 | 5.06 | 4.85 | 5.31 | 5.73 | 5.52 | 6.72 | 7.48 | 7.10 | 7.94 | 8.71 | 8.32 | 12.89 | 14.34 | 13.61 | | | |
| 60 | 3.01 | 3.18 | 3.10 | — | — | — | 3.81 | 4.15 | 3.98 | — | — | — | 4.99 | 5.41 | 5.20 | — | — | — | 7.19 | 7.95 | 7.57 | — | — | — | 13.58 | 15.02 | 14.30 | | | |
| 70 | 3.24 | 3.41 | 3.32 | — | — | — | 4.10 | 4.44 | 4.27 | — | — | — | 5.34 | 5.76 | 5.55 | — | — | — | 7.66 | 8.43 | 8.04 | — | — | — | 14.26 | 15.70 | 14.98 | | | |
| 80 | 3.46 | 3.63 | 3.55 | — | — | — | 4.39 | 4.73 | 4.56 | — | — | — | 5.69 | 6.12 | 5.91 | — | — | — | 8.13 | 8.90 | 8.52 | — | — | — | 14.94 | 16.39 | 15.67 | | | |
| 90 | 3.69 | 3.86 | 3.77 | — | — | — | 4.67 | 5.01 | 4.84 | — | — | — | 6.05 | 6.47 | 6.26 | — | — | — | 8.61 | 9.37 | 8.99 | — | — | — | 15.63 | 17.07 | 16.35 | | | |
| 100 | 3.91 | 4.08 | 4.00 | — | — | — | 4.96 | 5.30 | 5.13 | — | — | — | 6.40 | 6.82 | 6.61 | — | — | — | 9.08 | 9.84 | 9.46 | — | — | — | 16.31 | 17.76 | 17.03 | | | |

※ D : Double female thread type : BD : Double male thread : GL,GR : Single male thread other thread



HC series - Compact hydraulic cylinder

Specification

CHELIC PNEUMATIC

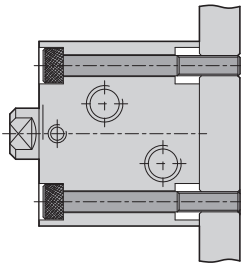
Specification

● Standard product ○ Custom product

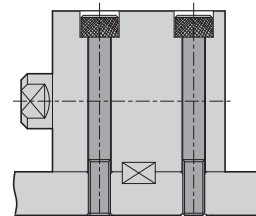
| Model | Stroke | | Bore | | | | | | | | | | | | | | |
|--|--------|----|------|----|----|----|----|----|----|----|----|----|----|----|-----|---|---|
| | 5 | 10 | 15 | 20 | 25 | 30 | 35 | 40 | 45 | 50 | 60 | 70 | 80 | 90 | 100 | | |
| HCF HCF - B | Ø20 | ○ | ● | ○ | ● | ○ | ● | ○ | ● | ○ | ● | ○ | ● | ○ | ● | ○ | ● |
| | Ø25 | ○ | ● | ○ | ● | ○ | ● | ○ | ● | ○ | ● | ○ | ● | ○ | ● | ○ | ● |
| | Ø32 | ● | ● | ● | ● | ● | ● | ○ | ● | ○ | ● | ○ | ● | ○ | ● | ○ | ● |
| | Ø40 | ● | ● | ● | ● | ● | ● | ○ | ● | ○ | ● | ○ | ● | ○ | ● | ○ | ● |
| | Ø50 | ● | ● | ● | ● | ● | ● | ○ | ● | ○ | ● | ○ | ● | ○ | ● | ○ | ● |
| | Ø63 | ● | ● | ● | ● | ● | ● | ○ | ● | ○ | ● | ○ | ● | ○ | ● | ○ | ● |
| | Ø80 | ● | ● | ● | ● | ● | ● | ○ | ● | ○ | ● | ○ | ● | ○ | ● | ○ | ● |
| HCF - D HCF - BD HCF - GL | Ø32 | ○ | ● | ○ | ● | ○ | ● | ○ | ● | ○ | ● | ○ | ● | ○ | ● | ○ | ● |
| | Ø40 | ○ | ● | ○ | ● | ○ | ● | ○ | ● | ○ | ● | ○ | ● | ○ | ● | ○ | ● |
| | Ø50 | ○ | ● | ○ | ● | ○ | ● | ○ | ● | ○ | ● | ○ | ● | ○ | ● | ○ | ● |
| | Ø63 | ○ | ● | ○ | ● | ○ | ● | ○ | ● | ○ | ● | ○ | ● | ○ | ● | ○ | ● |
| HCF - Z HCF - B - Z HCF - L HCF - B - L | Ø32 | ○ | ● | ○ | ● | ○ | ● | ○ | ● | ○ | ● | ○ | ● | ○ | ● | ○ | ● |
| | Ø40 | ○ | ● | ○ | ● | ○ | ● | ○ | ● | ○ | ● | ○ | ● | ○ | ● | ○ | ● |
| | Ø50 | ○ | ● | ○ | ● | ○ | ● | ○ | ● | ○ | ● | ○ | ● | ○ | ● | ○ | ● |
| | Ø63 | ○ | ● | ○ | ● | ○ | ● | ○ | ● | ○ | ● | ○ | ● | ○ | ● | ○ | ● |
| HCF - Z HCF - B - Z HCF - L HCF - B - L | Ø80 | ○ | ● | ○ | ● | ○ | ● | ○ | ● | ○ | ● | ○ | ● | ○ | ● | ○ | ● |

| Model | Stroke | | Bore | | | | | | | | | | | | | | |
|--|--------|----|------|----|----|----|----|----|----|----|----|----|----|----|-----|---|---|
| | 5 | 10 | 15 | 20 | 25 | 30 | 35 | 40 | 45 | 50 | 60 | 70 | 80 | 90 | 100 | | |
| HCS HCS - B | Ø32 | ○ | ● | ○ | ● | ○ | ● | ○ | ● | ○ | ● | ○ | ● | ○ | ● | ○ | ● |
| | Ø40 | ○ | ● | ○ | ● | ○ | ● | ○ | ● | ○ | ● | ○ | ● | ○ | ● | ○ | ● |
| | Ø50 | ○ | ● | ○ | ● | ○ | ● | ○ | ● | ○ | ● | ○ | ● | ○ | ● | ○ | ● |
| | Ø63 | ○ | ● | ○ | ● | ○ | ● | ○ | ● | ○ | ● | ○ | ● | ○ | ● | ○ | ● |
| HCS - D HCS - BD HCS - GL HCS - GR | Ø32 | ○ | ● | ○ | ● | ○ | ● | ○ | ● | ○ | ● | ○ | ● | ○ | ● | ○ | ● |
| | Ø40 | ○ | ● | ○ | ● | ○ | ● | ○ | ● | ○ | ● | ○ | ● | ○ | ● | ○ | ● |
| | Ø50 | ○ | ● | ○ | ● | ○ | ● | ○ | ● | ○ | ● | ○ | ● | ○ | ● | ○ | ● |
| HCS - Z HCS - B - Z HCS - L HCS - B - L | Ø63 | ○ | ● | ○ | ● | ○ | ● | ○ | ● | ○ | ● | ○ | ● | ○ | ● | ○ | ● |
| | Ø32 | ○ | ● | ○ | ● | ○ | ● | ○ | ● | ○ | ● | ○ | ● | ○ | ● | ○ | ● |
| | Ø40 | ○ | ● | ○ | ● | ○ | ● | ○ | ● | ○ | ● | ○ | ● | ○ | ● | ○ | ● |
| HCS - L HCS - B - L | Ø50 | ○ | ● | ○ | ● | ○ | ● | ○ | ● | ○ | ● | ○ | ● | ○ | ● | ○ | ● |
| | Ø63 | ○ | ● | ○ | ● | ○ | ● | ○ | ● | ○ | ● | ○ | ● | ○ | ● | ○ | ● |

Mounting type



● HCF : Front mounting



● HCS : Side mounting

SCR(L)
Swing
Clamp
Cylinder

HER
Double Rod
Swing Clamp
Cylinder

HGR(L)
Horizontal
Swing Clamp
Cylinder

HSR(L)
Pneumatic
Swing Clamp
Cylinder

HBR(L)
Pneumatic
Swing Clamp
Cylinder

HFR(L)
Pneumatic
Swing Clamp
Cylinder

HUR(L)
Hydraulic
Swing Clamp
Cylinder

HUK
Hydraulic
Compact
Cylinder

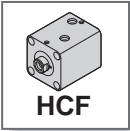
HN
Threaded
Body
Cylinder

HS
Hydraulic
Support
Cylinder

HCF
Compact
Hydraulic
Cylinder

HCS
Compact
Hydraulic
Cylinder

HCQ
Compact
Hydraulic
Cylinder

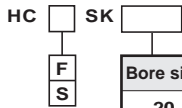


HC series - Compact hydraulic cylinder

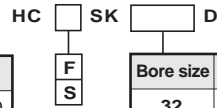
Components and Material list

CHELIC PNEUMATIC

How to order seal kit

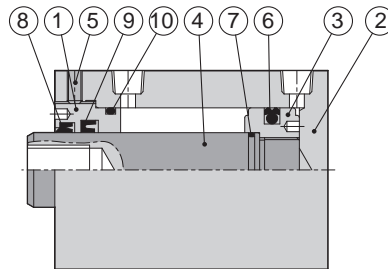


| Bore size | Seal kit |
|-----------|--------------------------------------|
| 20 | HCFSK20 - Include No.6,7,8,9,10 |
| 25 | HCFSK25 - Include No.6,7,8,9,10 |
| 32 | HCF(HCS)SK32 - Include No.6,7,8,9,10 |
| 40 | HCF(HCS)SK40 - Include No.6,7,8,9,10 |
| 50 | HCF(HCS)SK50 - Include No.6,7,8,9,10 |
| 63 | HCF(HCS)SK63 - Include No.6,7,8,9,10 |
| 80 | HCFSK80 - Include No.6,7,8,9,10 |



| Bore size | Seal kit |
|-----------|---------------------------------------|
| 32 | HCF(HCS)SK32D - Include No.6,7,8,9,10 |
| 40 | HCF(HCS)SK40D - Include No.6,7,8,9,10 |
| 50 | HCF(HCS)SK50D - Include No.6,7,8,9,10 |
| 63 | HCF(HCS)SK63D - Include No.6,7,8,9,10 |
| 80 | HCFSK80D - Include No.6,7,8,9,10 |

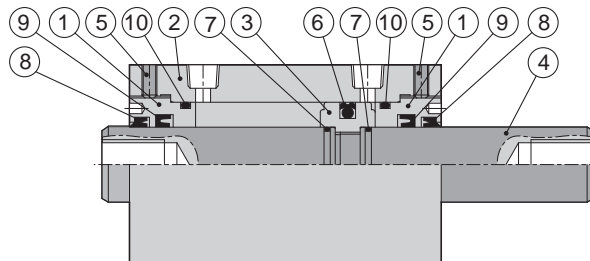
HCF type HCS type



Components and Material list

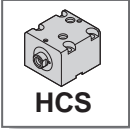
| No. | Item | Quantity | No. | Item | Quantity | No. | Item | Quantity |
|-----|------------|----------|-----|----------------|----------|-----|-------------|----------|
| 01 | Rod cover | 1 | 05 | Set screw | 1 | 09 | Rod packing | 1 |
| 02 | Body | 1 | 06 | Piston packing | 1 | 10 | O-Ring | 1 |
| 03 | Piston | 1 | 07 | O-Ring | 1 | 11 | | |
| 04 | Piston rod | 1 | 08 | Dust wiper | 1 | 12 | | |

HCF - D type HCS - D type



Components and Material list

| No. | Item | Quantity | No. | Item | Quantity | No. | Item | Quantity |
|-----|------------|----------|-----|----------------|----------|-----|-------------|----------|
| 01 | Rod cover | 2 | 05 | Set screw | 2 | 09 | Rod packing | 2 |
| 02 | Body | 1 | 06 | Piston packing | 1 | 10 | O-Ring | 2 |
| 03 | Piston | 1 | 07 | O-Ring | 2 | 11 | | |
| 04 | Piston rod | 1 | 08 | Dust wiper | 2 | 12 | | |



HC series - Compact hydraulic cylinder

Components and Material list

CHELIC PNEUMATIC

How to order seal kit

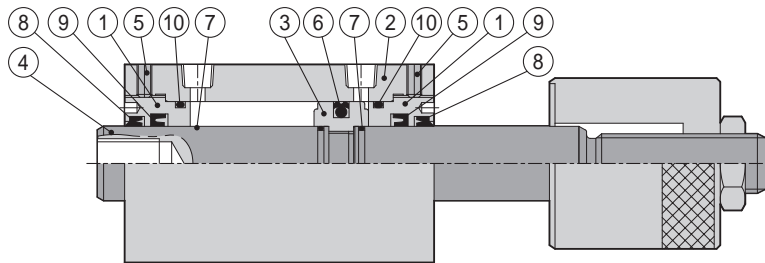
HC SK Z
 F
 S

| Bore size | Seal kit |
|-----------|---------------------------------------|
| 32 | HCF(HCS)SK32Z - Include No.6,7,8,9,10 |
| 40 | HCF(HCS)SK40Z - Include No.6,7,8,9,10 |
| 50 | HCF(HCS)SK50Z - Include No.6,7,8,9,10 |
| 63 | HCF(HCS)SK63Z - Include No.6,7,8,9,10 |
| 80 | HCFSK80Z - Include No.6,7,8,9,10 |

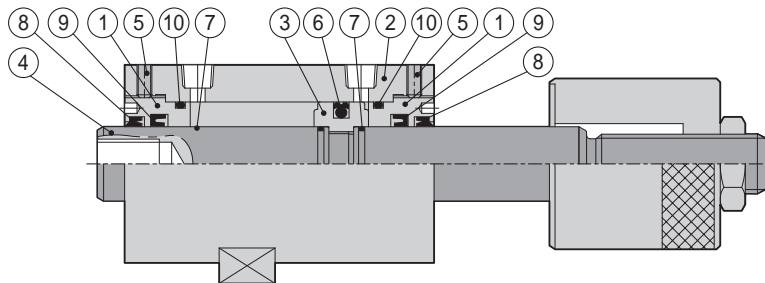
HC SK L
 F
 S

| Bore size | Seal kit |
|-----------|---------------------------------------|
| 32 | HCF(HCS)SK32L - Include No.6,7,8,9,10 |
| 40 | HCF(HCS)SK40L - Include No.6,7,8,9,10 |
| 50 | HCF(HCS)SK50L - Include No.6,7,8,9,10 |
| 63 | HCF(HCS)SK63L - Include No.6,7,8,9,10 |
| 80 | HCFSK80L - Include No.6,7,8,9,10 |

- HCF - Z type : Adjustable stroke 25mm
- HCF - L type : Adjustable stroke 50mm



- HCS - Z type : Adjustable stroke 25mm
- HCS - L type : Adjustable stroke 50mm



Components and Material list

| No. | Item | Quantity | No. | Item | Quantity | No. | Item | Quantity |
|-----|------------|----------|-----|----------------|----------|-----|-------------|----------|
| 01 | Rod cover | 2 | 05 | Set screw | 2 | 09 | Rod packing | 2 |
| 02 | Body | 1 | 06 | Piston packing | 1 | 10 | O-Ring | 2 |
| 03 | Piston | 1 | 07 | O-Ring | 2 | 11 | | |
| 04 | Piston rod | 1 | 08 | Dust wiper | 2 | 12 | | |

SCR(L)
Swing Clamp Cylinder

HER
Double Rod Swing Clamp Cylinder

HGR(L)
Horizontal Swing Clamp Cylinder

HSR(L)
Pneumatic Swing Clamp Cylinder

HBR(L)
Pneumatic Swing Clamp Cylinder

HFR(L)
Pneumatic Swing Clamp Cylinder

HUR(L)
Hydraulic Swing Clamp Cylinder

HUK
Hydraulic Compact Cylinder

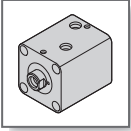
HN
Threaded Body Cylinder

HS
Hydraulic Support Cylinder

HCF
Compact Hydraulic Cylinder

HCS
Compact Hydraulic Cylinder

HCQ
Compact Hydraulic Cylinder

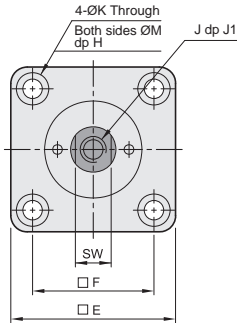
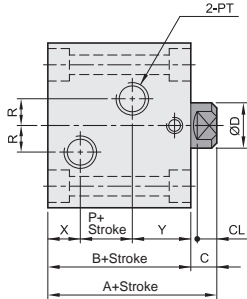


HCF series - Compact hydraulic cylinder (Front mounting)

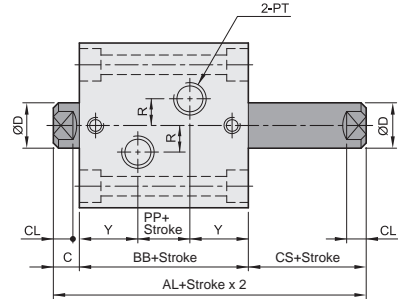
External dimension - HCF - Ø20 ~ Ø80

CHELIC PNEUMATIC

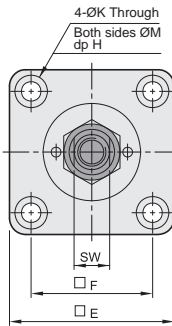
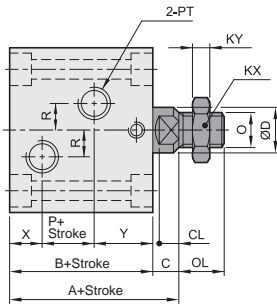
► HCF



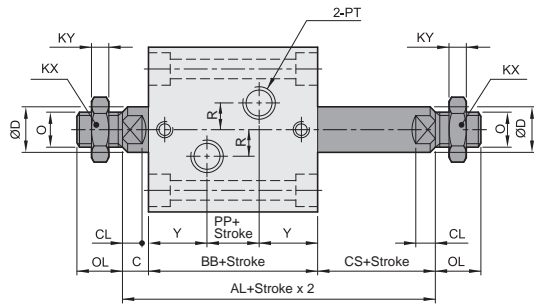
► HCF - D



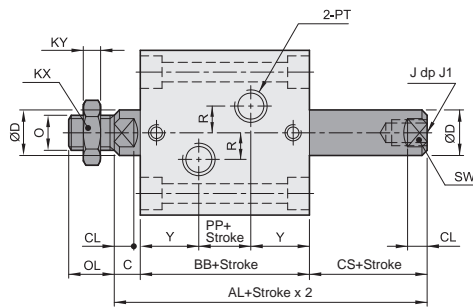
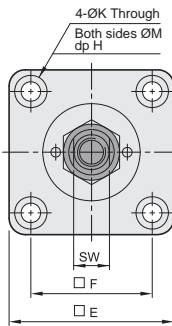
► HCF - B



► HCF - BD



► HCF - GL

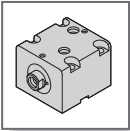


| Bore size | A | B | P | AL | BB | S | PP |
|-----------|----|----|----|-----|----|----|----|
| Ø20 | 51 | 43 | 10 | — | — | — | — |
| Ø25 | 53 | 45 | 12 | — | — | — | — |
| Ø32 | 64 | 54 | 14 | 89 | 69 | 10 | 13 |
| Ø40 | 65 | 55 | 15 | 90 | 70 | 10 | 14 |
| Ø50 | 71 | 60 | 18 | 97 | 75 | 11 | 16 |
| Ø63 | 80 | 67 | 20 | 108 | 82 | 13 | 20 |
| Ø80 | 95 | 78 | 27 | 127 | 93 | 17 | 27 |

| Bore size | C | CL | D | E | F | H | J | JI | K | KX | KY | M | O | OL | PT | R | SW | X | Y |
|-----------|----|----|----|-----|----|-----|-----------|----|-----|----|----|----|-----------|----|--------|----|----|------|------|
| Ø20 | 8 | 6 | 12 | 42 | 30 | 5.5 | M8×1.25P | 10 | 5.6 | 17 | 6 | 9 | M10×1.25P | 20 | PT 1/8 | 5 | 10 | 10 | 23 |
| Ø25 | 8 | 6 | 14 | 48 | 36 | 5.5 | M10×1.5P | 12 | 5.6 | 19 | 7 | 9 | M12×1.25P | 22 | PT 1/8 | 5 | 12 | 10 | 23 |
| Ø32 | 10 | 7 | 20 | 62 | 47 | 6.5 | M12×1.75P | 15 | 6.6 | 24 | 8 | 11 | M16×1.5P | 25 | PT 1/4 | 10 | 17 | 12 | 28 |
| Ø40 | 10 | 7 | 25 | 70 | 52 | 9 | M16×2.0P | 20 | 9 | 32 | 10 | 14 | M22×1.5P | 30 | PT 1/4 | 10 | 22 | 12 | 28 |
| Ø50 | 11 | 8 | 30 | 80 | 58 | 11 | M20×2.5P | 25 | 11 | 35 | 14 | 18 | M26×1.5P | 35 | PT 1/4 | 10 | 27 | 12.5 | 29.5 |
| Ø63 | 13 | 10 | 35 | 94 | 69 | 13 | M27×3.0P | 35 | 13 | 41 | 13 | 20 | M30×1.5P | 40 | PT 3/8 | 10 | 32 | 16 | 31 |
| Ø80 | 17 | 14 | 45 | 114 | 86 | 15 | M30×3.5P | 35 | 15 | 50 | 10 | 22 | M39×1.5P | 45 | PT 3/8 | 15 | 41 | 18 | 33 |



Note : Please check P.3-11.33 for standard stroke.
Please contact with our sales representative for non standard stroke.



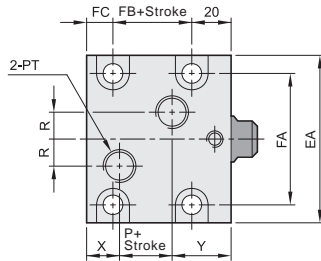
HCS series - Compact hydraulic cylinder (Side mounting)

External dimension - HCS - Ø32 ~ Ø63

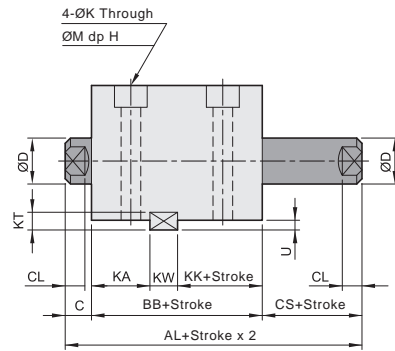
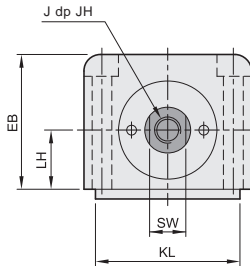
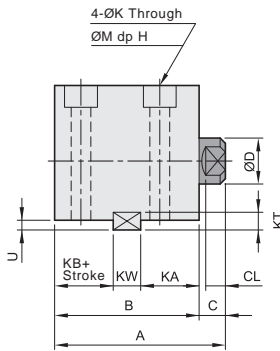
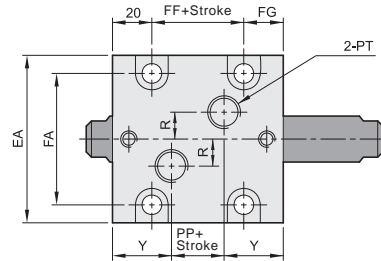
CHELIC PNEUMATIC

Dimension features

HCS



HCS - D



| Bore size | A | B | FB | KB | P | AL | BB | CS | FF | KK | PP | C | CL | D | EA | EB | FA | FC | FG |
|-----------|----|----|----|----|----|-----|----|----|----|----|----|----|----|----|-----|----|----|----|----|
| Ø32 | 64 | 54 | 24 | 14 | 14 | 89 | 69 | 10 | 32 | 29 | 13 | 10 | 7 | 20 | 70 | 56 | 56 | 10 | 17 |
| Ø40 | 65 | 55 | 23 | 15 | 15 | 90 | 70 | 10 | 32 | 30 | 14 | 10 | 7 | 25 | 80 | 64 | 62 | 12 | 18 |
| Ø50 | 71 | 60 | 27 | 17 | 18 | 97 | 75 | 11 | 35 | 32 | 16 | 11 | 8 | 30 | 94 | 74 | 74 | 13 | 20 |
| Ø63 | 80 | 67 | 32 | 20 | 20 | 108 | 82 | 13 | 42 | 35 | 20 | 13 | 10 | 35 | 114 | 89 | 90 | 15 | 20 |

| Bore size | H | J | JH | K | KA | KL | KT | KW | LH | M | PT | R | SW | U | X | Y |
|-----------|----|-----------|----|----|----|-----|----|----|----|----|--------|----|----|-----|------|------|
| Ø32 | 9 | M12×1.75P | 15 | 9 | 28 | 63 | 8 | 12 | 25 | 14 | PT 1/4 | 10 | 17 | 4.5 | 12 | 28 |
| Ø40 | 11 | M16×2.0P | 20 | 11 | 28 | 70 | 8 | 12 | 29 | 18 | PT 1/4 | 10 | 22 | 4.5 | 12 | 28 |
| Ø50 | 13 | M20×2.5P | 25 | 13 | 29 | 80 | 9 | 14 | 34 | 20 | PT 1/4 | 10 | 27 | 5 | 12.5 | 29.5 |
| Ø63 | 15 | M27×3.0P | 35 | 15 | 31 | 100 | 10 | 16 | 42 | 22 | PT 3/8 | 10 | 32 | 5.5 | 16 | 31 |

Note : Please check P.3-11.33 for standard stroke.
Please contact with our sales representative for non standard stroke.

SCR(L)

Swing Clamp Cylinder

HER

Double Rod Swing Clamp Cylinder

HGR(L)

Horizontal Swing Clamp Cylinder

HSR(L)

Pneumatic Swing Clamp Cylinder

HBR(L)

Pneumatic Swing Clamp Cylinder

HFR(L)

Pneumatic Swing Clamp Cylinder

HUR(L)

Hydraulic Swing Clamp Cylinder

HUK

Hydraulic Compact Cylinder

HN

Threaded Body Cylinder

HS

Hydraulic Support Cylinder

HCF

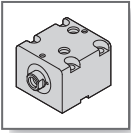
Compact Hydraulic Cylinder

HCS

Compact Hydraulic Cylinder

HCC

Compact Hydraulic Cylinder



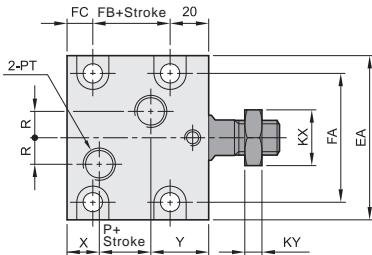
HCS series - Compact hydraulic cylinder (Side mounting)

External dimension - HCS - Ø32 ~ Ø63

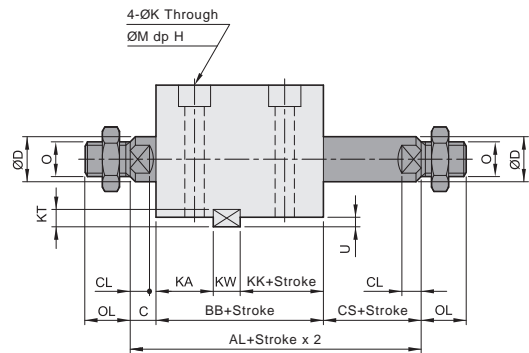
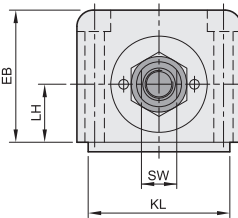
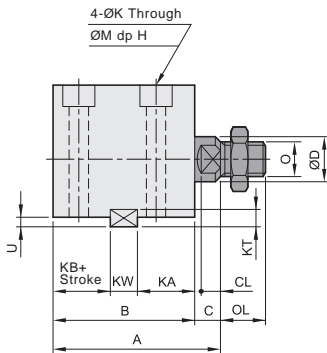
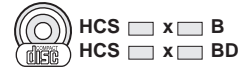
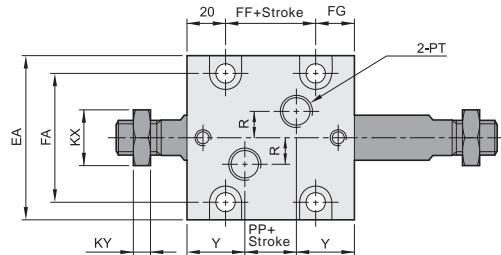
CHELIC PNEUMATIC

Dimension features

HCS - B



HCS - BD

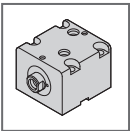


| Bore size | A | B | FB | KB | P | AL | BB | CS | FF | KK | PP | C | CL | D | EA | EB | FA | FC | FG | H |
|-----------|----|----|----|----|----|-----|----|----|----|----|----|----|----|----|-----|----|----|----|----|----|
| Ø32 | 64 | 54 | 24 | 14 | 14 | 89 | 69 | 10 | 32 | 29 | 13 | 10 | 7 | 20 | 70 | 56 | 56 | 10 | 17 | 9 |
| Ø40 | 65 | 55 | 23 | 15 | 15 | 90 | 70 | 10 | 32 | 30 | 14 | 10 | 7 | 25 | 80 | 64 | 62 | 12 | 18 | 11 |
| Ø50 | 71 | 60 | 27 | 17 | 18 | 97 | 75 | 11 | 35 | 32 | 16 | 11 | 8 | 30 | 94 | 74 | 74 | 13 | 20 | 13 |
| Ø63 | 80 | 67 | 32 | 20 | 20 | 108 | 82 | 13 | 42 | 35 | 20 | 13 | 10 | 35 | 114 | 90 | 90 | 15 | 20 | 15 |

| Bore size | K | KA | KL | KT | KW | KX | KY | LH | M | O | OL | PT | R | SW | U | X | Y |
|-----------|----|----|-----|----|----|----|----|----|----|----------|----|--------|----|----|-----|------|------|
| Ø32 | 9 | 28 | 63 | 8 | 12 | 24 | 8 | 25 | 14 | M16×1.5P | 25 | PT 1/4 | 10 | 17 | 4.5 | 12 | 28 |
| Ø40 | 11 | 28 | 70 | 8 | 12 | 32 | 10 | 29 | 18 | M22×1.5P | 30 | PT 1/4 | 10 | 22 | 4.5 | 12 | 28 |
| Ø50 | 13 | 29 | 80 | 9 | 14 | 35 | 14 | 34 | 20 | M26×1.5P | 35 | PT 1/4 | 10 | 27 | 5 | 12.5 | 29.5 |
| Ø63 | 15 | 31 | 100 | 10 | 16 | 41 | 13 | 42 | 22 | M30×1.5P | 40 | PT 3/8 | 10 | 32 | 5.5 | 16 | 31 |



Note : Please check P.3-11.33 for standard stroke.
Please contact with our sales representative for non standard stroke.

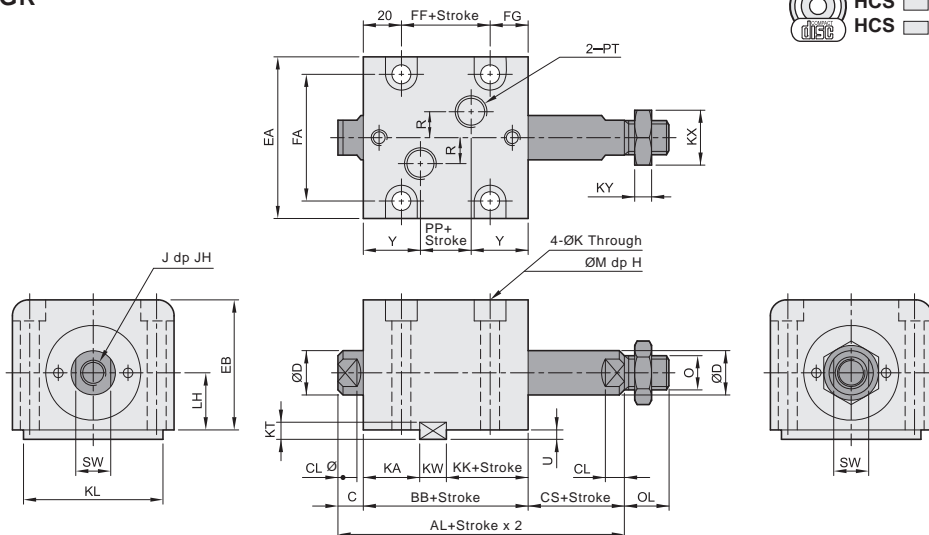


HCS series - Compact hydraulic cylinder (Side mounting)

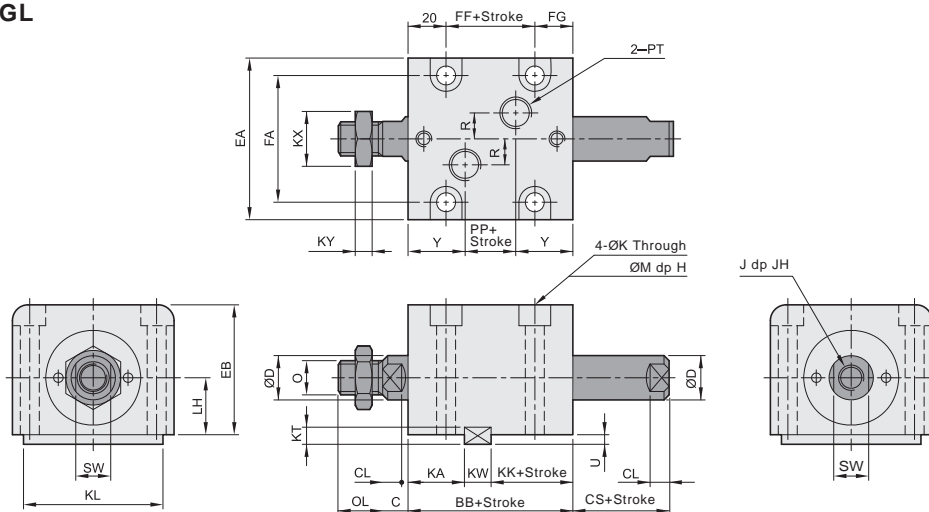
External dimension - HCS - Ø32 ~ Ø63

CHELIC PNEUMATIC

► HCS - GR



► HCS - GL



| Bore size | AL | BB | CS | FF | KK | PP | C | CL | D | EA | EB | FA | FG | H | J | JH |
|-----------|-----|----|----|----|----|----|----|----|----|-----|----|----|----|----|-----------|----|
| Ø32 | 89 | 69 | 10 | 32 | 29 | 13 | 10 | 7 | 20 | 70 | 56 | 56 | 17 | 9 | M12×1.75P | 15 |
| Ø40 | 90 | 70 | 10 | 32 | 30 | 14 | 10 | 7 | 25 | 80 | 64 | 62 | 18 | 11 | M16×2.0P | 20 |
| Ø50 | 97 | 75 | 11 | 35 | 32 | 16 | 11 | 8 | 30 | 94 | 74 | 74 | 20 | 13 | M20×2.5P | 25 |
| Ø63 | 108 | 82 | 13 | 42 | 35 | 20 | 13 | 10 | 35 | 114 | 89 | 90 | 20 | 15 | M27×3.0P | 35 |

| Bore size | K | KA | KL | KT | KW | KX | KY | LH | M | O | OL | PT | R | SW | U | Y |
|-----------|----|----|-----|----|----|----|----|----|----|----------|----|--------|----|----|-----|------|
| Ø32 | 9 | 28 | 63 | 8 | 12 | 24 | 8 | 25 | 14 | M16×1.5P | 25 | PT 1/4 | 10 | 17 | 4.5 | 28 |
| Ø40 | 11 | 28 | 70 | 8 | 12 | 32 | 10 | 29 | 18 | M22×1.5P | 30 | PT 1/4 | 10 | 22 | 4.5 | 28 |
| Ø50 | 13 | 29 | 80 | 9 | 14 | 35 | 14 | 34 | 20 | M26×1.5P | 35 | PT 1/4 | 10 | 27 | 5 | 29.5 |
| Ø63 | 15 | 31 | 100 | 10 | 16 | 41 | 13 | 42 | 22 | M30×1.5P | 40 | PT 3/8 | 10 | 32 | 5.5 | 31 |



Note : Please check P.3-11.33 for standard stroke.
Please contact with our sales representative for non standard stroke.

SCR(L)

Swing Clamp Cylinder

HER

Double Rod Swing Clamp Cylinder

HGR(L)

Horizontal Swing Clamp Cylinder

HSR(L)

Pneumatic Swing Clamp Cylinder

HBR(L)

Pneumatic Swing Clamp Cylinder

HFR(L)

Pneumatic Swing Clamp Cylinder

HUR(L)

Hydraulic Swing Clamp Cylinder

HUK

Hydraulic Compact Cylinder

HN

Threaded Body Cylinder

HS

Hydraulic Support Cylinder

HCF

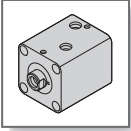
Compact Hydraulic Cylinder

HCS

Compact Hydraulic Cylinder

HCQ

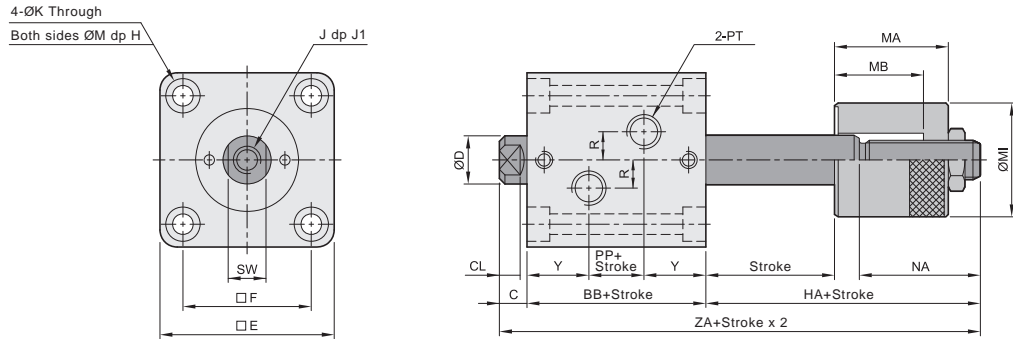
Compact Hydraulic Cylinder



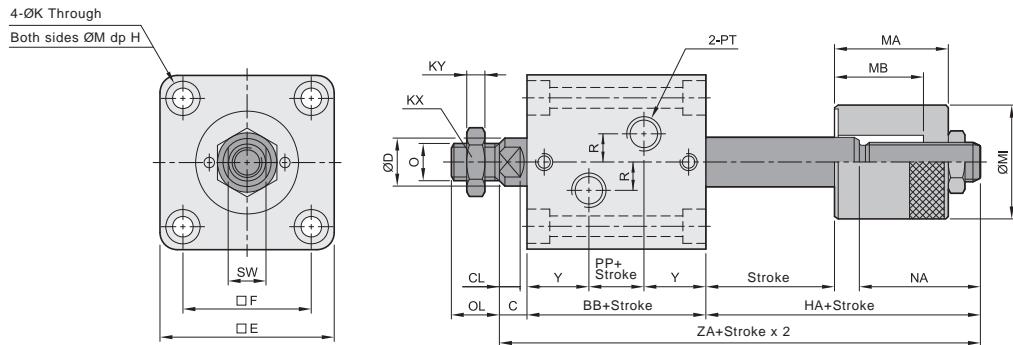
HCF series - Compact hydraulic cylinder (Front mounting)

External dimension - HCF - Z \ HCF - BZ Ø32 ~ Ø80 CHELIC PNEUMATIC

● HCF - Z (Adjustable stroke 25mm)



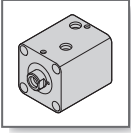
● HCF - B - Z (Adjustable stroke 25mm)



| Bore size | ZA | BB | PP | HA | C | CL | D | E | F | H | J | J1 | K | KX | KY |
|-----------|-----|----|----|----|----|----|----|-----|----|-----|-----------|----|-----|----|----|
| Ø32 | 138 | 69 | 13 | 59 | 10 | 7 | 20 | 62 | 47 | 6.5 | M12×1.75P | 15 | 6.6 | 24 | 8 |
| Ø40 | 148 | 70 | 14 | 68 | 10 | 7 | 25 | 70 | 52 | 9 | M16×2.0P | 20 | 9 | 32 | 10 |
| Ø50 | 156 | 75 | 16 | 70 | 11 | 8 | 30 | 80 | 58 | 11 | M20×2.5P | 25 | 11 | 35 | 14 |
| Ø63 | 173 | 82 | 20 | 78 | 13 | 10 | 35 | 94 | 69 | 13 | M27×3.0P | 35 | 13 | 41 | 13 |
| Ø80 | 192 | 93 | 27 | 82 | 17 | 14 | 45 | 114 | 86 | 15 | M30×3.5P | 35 | 15 | 50 | 10 |

| Bore size | M | MI | MA | MB | NA | O | OL | PT | R | SW | Y |
|-----------|----|----|----|----|----|----------|----|--------|----|----|------|
| Ø32 | 11 | 46 | 46 | 36 | 49 | M16×1.5P | 25 | PT 1/4 | 10 | 17 | 28 |
| Ø40 | 14 | 55 | 54 | 36 | 58 | M22×1.5P | 30 | PT 1/4 | 10 | 22 | 28 |
| Ø50 | 18 | 60 | 53 | 37 | 59 | M26×1.5P | 35 | PT 1/4 | 10 | 27 | 29.5 |
| Ø63 | 20 | 75 | 63 | 39 | 65 | M30×1.5P | 40 | PT 3/8 | 10 | 32 | 31 |
| Ø80 | 22 | 90 | 70 | 43 | 65 | M39×1.5P | 40 | PT 3/8 | 15 | 41 | 33 |

Note : Please check P.3-11.33 for standard stroke.
Please contact with our sales representative for non standard stroke.

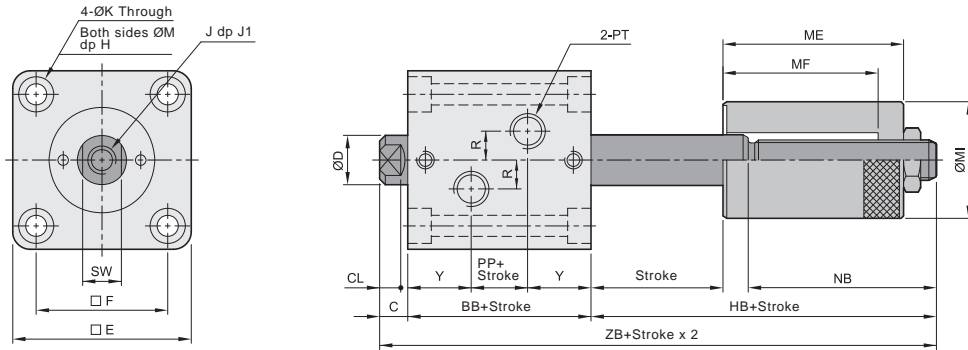


HCF series - Compact hydraulic cylinder (Front mounting)

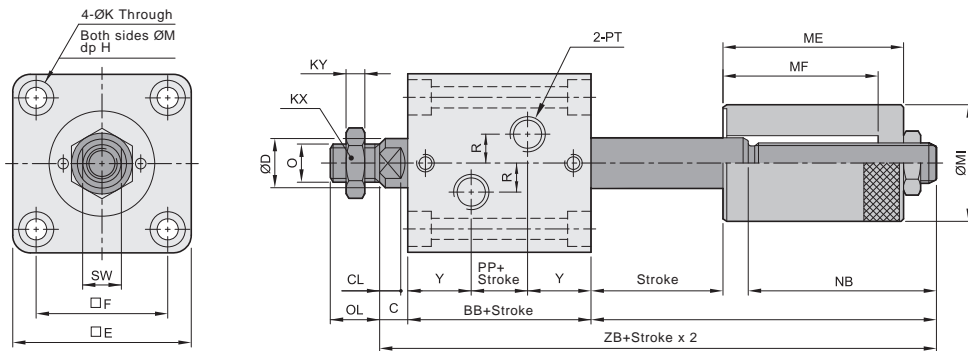
External dimension - HCF - L \ HCF - BL Ø32 ~ Ø80

CHELIC PNEUMATIC

● HCF - L (Adjustable stroke 50mm)



● HCF - B - L (Adjustable stroke 50mm)

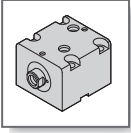


- SCR(L)**
Swing Clamp Cylinder
- HER**
Double Rod Swing Clamp Cylinder
- HGR(L)**
Horizontal Swing Clamp Cylinder
- HSR(L)**
Pneumatic Swing Clamp Cylinder
- HBR(L)**
Pneumatic Swing Clamp Cylinder
- HFR(L)**
Pneumatic Swing Clamp Cylinder
- HUR(L)**
Hydraulic Swing Clamp Cylinder
- HUK**
Hydraulic Compact Cylinder
- HN**
Threaded Body Cylinder
- HS**
Hydraulic Support Cylinder
- HCF**
Compact Hydraulic Cylinder
- HCS**
Compact Hydraulic Cylinder
- HCQ**
Compact Hydraulic Cylinder

| Bore size | ZB | BB | PP | HB | C | CL | D | E | F | H | J | J1 | K | KX | KY |
|-----------|-----|----|----|-----|----|----|----|-----|----|-----|-----------|----|-----|----|----|
| Ø32 | 163 | 69 | 13 | 84 | 10 | 7 | 20 | 62 | 47 | 6.5 | M12×1.75P | 15 | 6.6 | 24 | 8 |
| Ø40 | 173 | 70 | 14 | 93 | 10 | 7 | 25 | 70 | 52 | 9 | M16×2.0P | 20 | 9 | 32 | 10 |
| Ø50 | 181 | 75 | 16 | 95 | 11 | 8 | 30 | 80 | 58 | 11 | M20×2.5P | 25 | 11 | 35 | 14 |
| Ø63 | 198 | 82 | 20 | 103 | 13 | 10 | 35 | 94 | 69 | 13 | M27×3.0P | 35 | 13 | 41 | 13 |
| Ø80 | 217 | 93 | 27 | 107 | 17 | 14 | 45 | 114 | 86 | 15 | M30×3.5P | 35 | 15 | 50 | 10 |

| Bore size | M | MI | ME | MF | NB | O | OL | PT | R | SW | Y |
|-----------|----|----|----|----|----|----------|----|--------|----|----|------|
| Ø32 | 11 | 46 | 71 | 61 | 74 | M16×1.5P | 25 | PT 1/4 | 10 | 17 | 28 |
| Ø40 | 14 | 55 | 79 | 61 | 83 | M22×1.5P | 30 | PT 1/4 | 10 | 22 | 28 |
| Ø50 | 18 | 60 | 78 | 62 | 84 | M26×1.5P | 35 | PT 1/4 | 10 | 27 | 29.5 |
| Ø63 | 20 | 75 | 88 | 64 | 90 | M30×1.5P | 40 | PT 3/8 | 10 | 32 | 31 |
| Ø80 | 22 | 90 | 95 | 68 | 90 | M39×1.5P | 40 | PT 3/8 | 15 | 41 | 33 |

Note : Please check P.3-11.33 for standard stroke.
Please contact with our sales representative for non standard stroke.

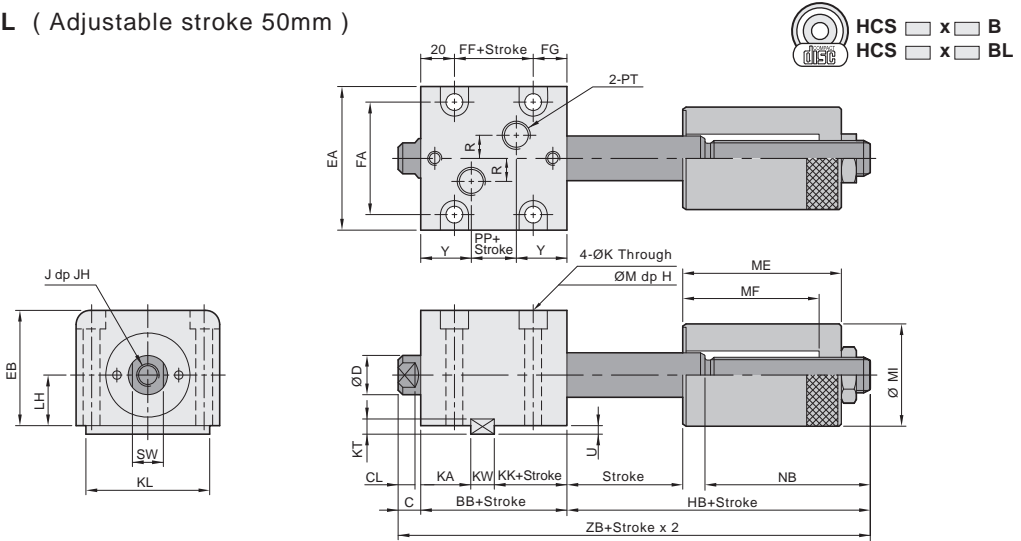


HCS series - Compact hydraulic cylinder (Side mounting)

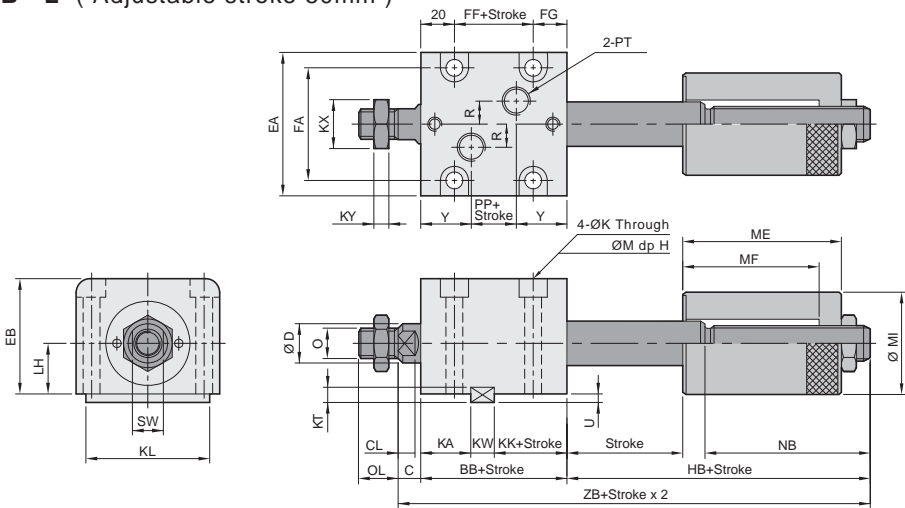
External dimension - HCS - L 、 HCS - BL Ø32 ~ Ø63

CHELIC PNEUMATIC

► HCS - L (Adjustable stroke 50mm)



► HCS - B - L (Adjustable stroke 50mm)



| Bore size | ZB | BB | FF | KK | PP | HB | C | CL | D | EA | EB | FA | FG | H | J | JH | K | KA | KL |
|-----------|-----|----|----|----|----|-----|----|----|----|-----|----|----|----|----|-----------|----|----|----|-----|
| Ø32 | 183 | 69 | 32 | 29 | 13 | 84 | 10 | 7 | 20 | 70 | 56 | 56 | 17 | 9 | M12×1.75P | 15 | 9 | 28 | 63 |
| Ø40 | 173 | 70 | 32 | 30 | 14 | 93 | 10 | 7 | 25 | 80 | 64 | 62 | 18 | 11 | M16×2.0P | 20 | 11 | 28 | 70 |
| Ø50 | 181 | 75 | 35 | 32 | 16 | 95 | 11 | 8 | 30 | 94 | 74 | 74 | 20 | 13 | M20×2.5P | 25 | 13 | 29 | 80 |
| Ø63 | 198 | 82 | 42 | 35 | 20 | 103 | 13 | 10 | 35 | 114 | 89 | 90 | 20 | 15 | M27×3.0P | 35 | 15 | 31 | 100 |

| Bore size | KT | KW | KX | KY | LH | M | MI | ME | MF | NB | O | OL | PT | R | SW | U | Y |
|-----------|----|----|----|----|----|----|----|----|----|----|----------|----|--------|----|----|-----|------|
| Ø32 | 8 | 12 | 24 | 8 | 25 | 14 | 46 | 71 | 61 | 74 | M16×1.5P | 25 | PT 1/4 | 10 | 17 | 4.5 | 28 |
| Ø40 | 8 | 12 | 32 | 10 | 29 | 18 | 55 | 79 | 61 | 83 | M22×1.5P | 30 | PT 1/4 | 10 | 22 | 4.5 | 28 |
| Ø50 | 9 | 14 | 35 | 14 | 34 | 20 | 60 | 78 | 62 | 84 | M26×1.5P | 35 | PT 1/4 | 10 | 27 | 5 | 29.5 |
| Ø63 | 10 | 16 | 41 | 13 | 42 | 22 | 75 | 88 | 64 | 90 | M30×1.5P | 40 | PT 3/8 | 10 | 32 | 5.5 | 31 |



Note : Please check P.3-11.33 for standard stroke.
Please contact with our sales representative for non standard stroke.

SCR(L)

Swing Clamp Cylinder

HER

Double Rod Swing Clamp Cylinder

HGR(L)

Horizontal Swing Clamp Cylinder

HSR(L)

Pneumatic Swing Clamp Cylinder

HBR(L)

Pneumatic Swing Clamp Cylinder

HFR(L)

Pneumatic Swing Clamp Cylinder

HUR(L)

Hydraulic Swing Clamp Cylinder

HUK

Hydraulic Compact Cylinder

HN □

Threaded Body Cylinder

HS □

Hydraulic Support Cylinder

HCF

Compact Hydraulic Cylinder

HCS

Compact Hydraulic Cylinder

HCQ

Compact Hydraulic Cylinder

