

Receiver

Society
 Reference
 Address
 Phone
 Fax
 E-mail

From

Profil LTD
 Karadzhev, Angel
 6th km, Pazardzhishko shose
 -
 -
 angel.karajov@profilbg.com

Item n° :

60150952

Model :

EVOPLUS B 80/250.40 M

Pump data

Pressure rating : 16 bar
 Min. fluid temperature : -10 °C
 Max. fluid temperature : 110 °C
 EEI : ≤ 0,22

Minimum suction head :

Temperature °C 90 100
 Minimum suction head : m 20 25

Requested data

Flow : 0,00 m³/h
 Head : 0,00 m
 Fluid (%) : Water
 Fluid Temperature : 20 °C
 Density : 0,99819 kg/dm³
 Kinematic viscosity : 1,0004 mm²/s
 Vapor pressure : 2,20 kPa

Hydraulic data (duty point)

Flow :
 Head :

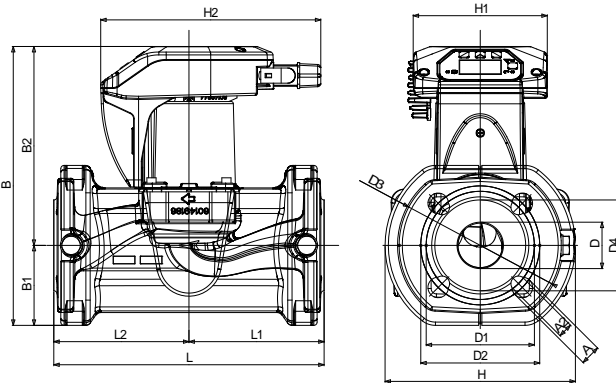
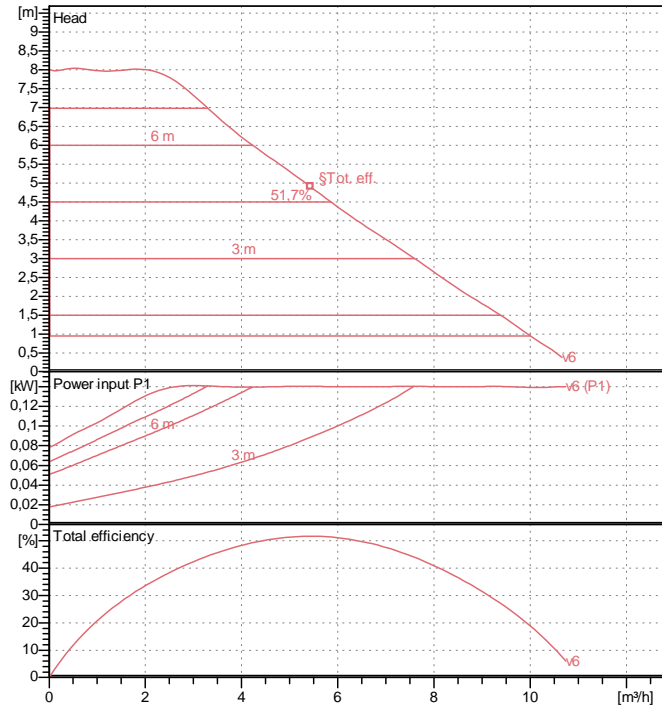
Materials

Pump body : Cast iron 250 UNI ISO 185 - CTF
 Impeller : Technopolymer
 Motor shaft : Alumina
 Seal ring : EPDM
 Motor casing : Die cast aluminium
 Closing flange : Stainless steel
 Thrust ring support : EPDM

Motor data

Motor brand : DAB
 Power input P1 : 0,14 kW
 Rated voltage : 1~ 220-240 V 50 Hz
 Nominal current : 0,95 A
 Degree of protection : IP 44

Curve tolerance according to ISO 9906



Dimensions in mm

A	19	D	43	H	176	L2	125
A2	14	D1	100	H1	124		
B	258	D2	110	H2	204		
B1	74	D3	150	L	250		
B2	184	D4	84	L1	125		

Weight : 7,5 kg

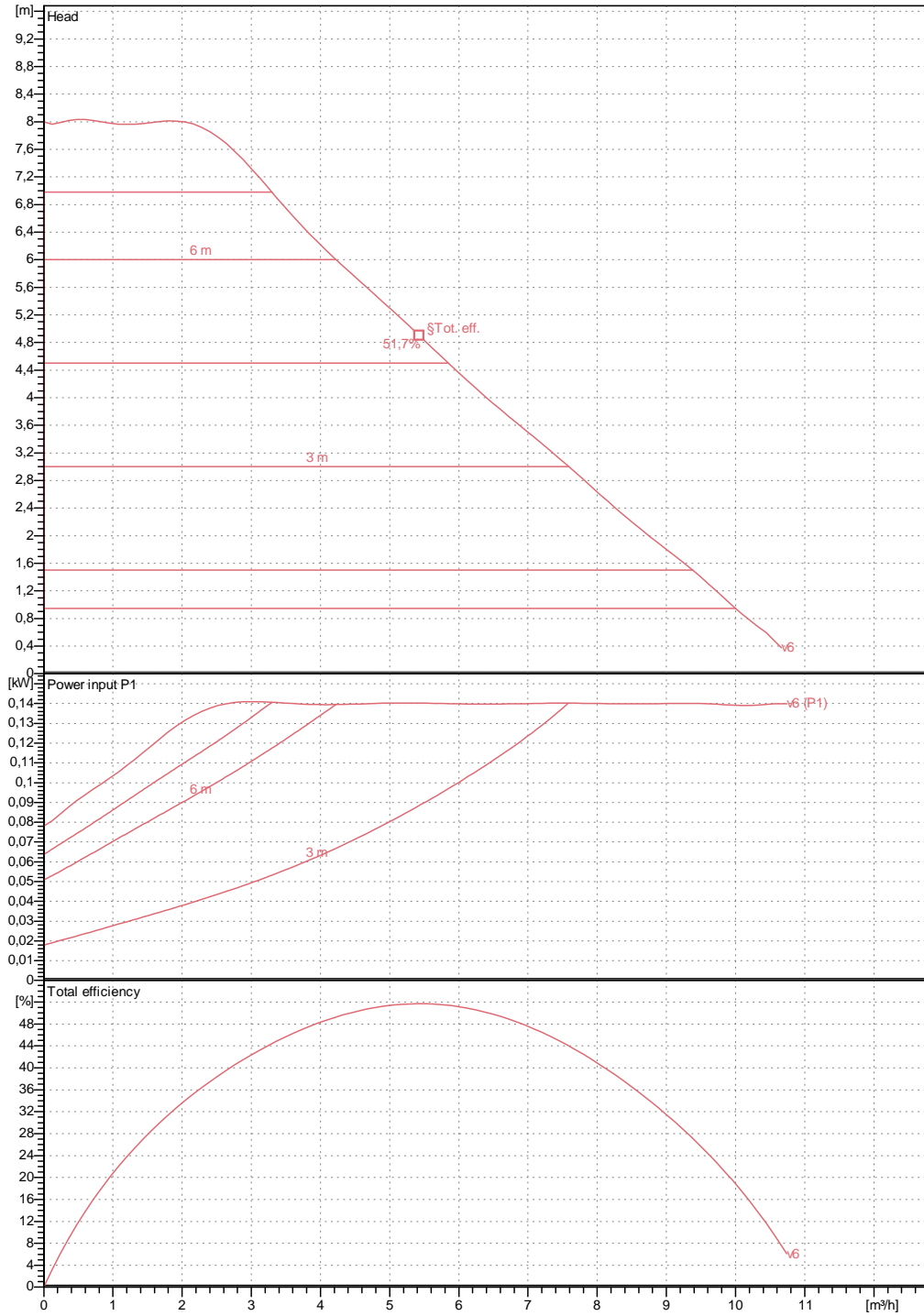
Pump connection

Suction side : DN 40 / PN6, PN10, PN16 (4 slotted holes)
 Discharge side : DN 40 / PN6, PN10, PN16 (4 slotted holes)

	Receiver	From
Society Reference Address Phone Fax E-mail		Profil LTD Karadzhev, Angel 6th km, Pazardzhishko shose - - angel.karajov@profilbg.com

EVOPLUS B 80/250.40 M

Curve tolerance according to ISO 9906



Hydraulic data (duty point)

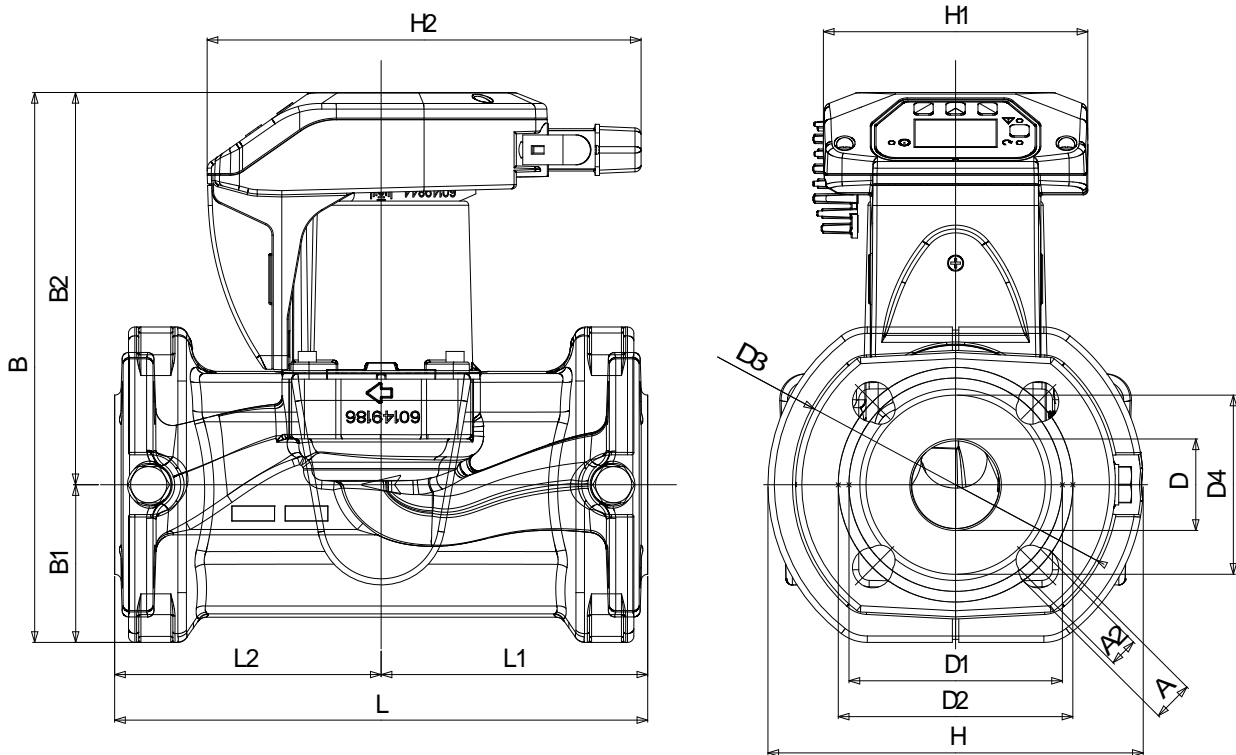
Suction side : DN 40 PN6, PN10, PN16 (4 slotted holes)	Discharge side : DN 40 PN6, PN10, PN16 (4 slotted holes)	Flow : 0 m³/h	Head : 0 m	Rated speed : 2900 1/min
Project	Project ID	Created by	Created on 2017-01-03	

Receiver
From

 Society
 Reference
 Address
 Phone
 Fax
 E-mail

 Profil LTD
 Karadzhev, Angel
 6th km, Pazardzhishko shose
 -
 -
 angel.karajov@profilbg.com

EVOPLUS B 80/250.40 M


Dimensions in mm

1	A	19	H	176
2	A2	14	H1	124
3	B	258	H2	204
4	B1	74	L	250
5	B2	184	L1	125
6	D	43	L2	125
7	D1	100		
8	D2	110		
9	D3	150		
10	D4	84		

Pump connection

Suction
 DN 40
 PN6, PN10, PN16 (4 slotted holes)

Discharge
 DN 40
 PN6, PN10, PN16 (4 slotted holes)

Project

Project ID

Created by

Created on

2017-01-03