



- A PART OF ADDTECH GROUP

DATA SHEET

Customer:	
Ref.:	
Order:	
Motor:	
Serial nr:	
Date:	11-07-2018

ASYNCHRONOUS MOTOR 3D 180L-4

Nameplate data:

Code: 112168

Type:	3D 180L-4			IP55	F/B	Amb. temp.: Max. 45°		
kW	Hz	V	A	Rpm	Cos	Eff. 100%	Duty	IE.class
22,00	50	380-415 D	40,80	1470	0,86	90,5%	S1	IE1-(Eff2)
22,00	50	690 Y	23,65	1470	0,86	90,5%		
26,40	60	440-480 D	42,57	1764	0,86	90,5%		

Description:

Mounting form:	B5
Bearing DE:	6311/C3
Bearing NDE:	6311/C3
Weight - Kg.:	180
Heater:	No Heater
PTC:	PTC mounted
Kgm ² :	0,164
Sound press.-db(A):	66,0

Other:

Test data S1-duty, Amb.temp 40°C:

Voltage - V:	400
Frequency - Hz:	50
Power - kW:	22,00
Full load speed - Rpm:	1470
Full load current - A:	40,80
Full load power factor - Cos:	0,86
Locked rotor current - A:	306,0
Locked rotor factor - A_{st}/A_n :	7,5

Efficiency 100% load - %:	90,5%
Efficiency 75% load - %:	
Efficiency 50% load - %:	
Full load torque - Nm:	143,0
Locked rotor torque - Nm:	314,6
Locked rotor torque - Nm_{st}/Nm_n :	2,2
Max. Pull out torque - Nm:	328,9
Max. Pull out torque. - Nm_{st}/Nm_n :	2,3

Over load/speed test	kW	Hz	V	A	Rpm
Over load 160% - 15sec.	35,20	50	400	65,28	1470
Over speed 125% - 2 min.	22	63	400	40,80	1838
H-Pot test voltage: 1800V			Temp. rise in stator:		

The motor is produced in accordance with following harmonized standards:

IEC60034-1, IEC60034-2, IEC60034-5, IEC60034-6, IEC60034-7, IEC60034-8, IEC60034-9
IEC60034-12, IEC60034-14, IEC60034-30, IEC60072.

Additional specifications in accordance with:

RINA - GL - LRS - BV - DNV - ABS - KR - RR - CCS - CCC - RMRS.

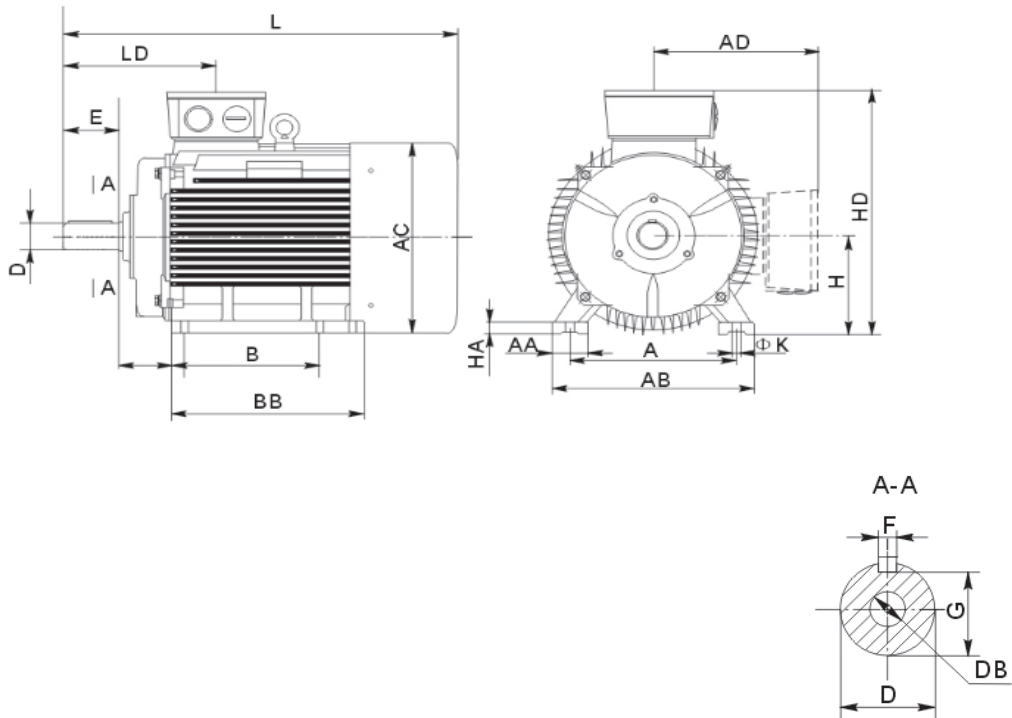


- A PART OF ADDTECH GROUP

DATA SHEET

Customer:	
Ref.:	
Order:	
Motor:	
Serial nr:	
Date:	11-07-2018

Foot mounted motor 3D 180L-4 B3



A: 279	HD: 470	E: 110
B: 279	C: 121	D: 48
AB: 355	H: 180	G: 42,5
AC: 380	K: 15	DB: M16
AD: 310	L: 740	F: 14
	L (V1): 800	

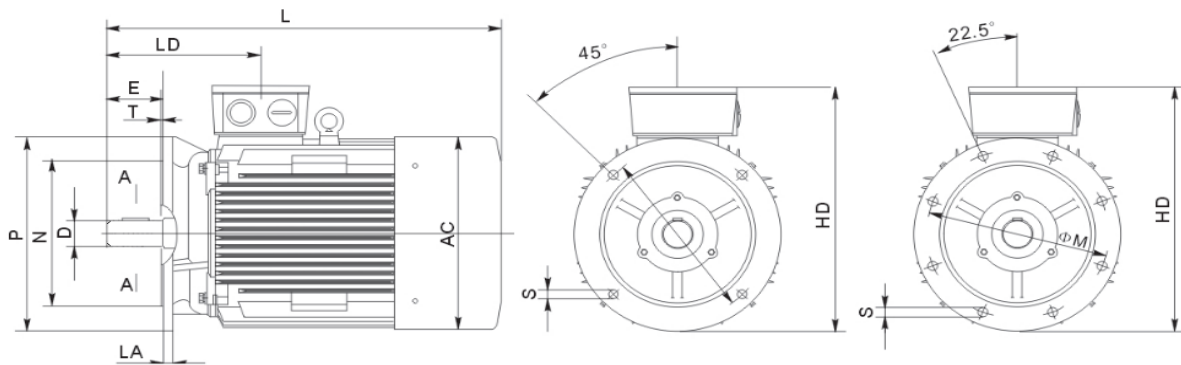


- A PART OF ADDTECH GROUP

DATA SHEET

Customer:	
Ref.:	
Order:	
Motor:	
Serial nr:	
Date:	11-07-2018

Flange mounted motor 3D 180L-4 B5 (V1)



M: 300
N: 250
P: 350
S: 19

HD: 470
L: 740
L (V1): 800

E: 110
D: 48
G: 42,5
DB: M16
F: 14

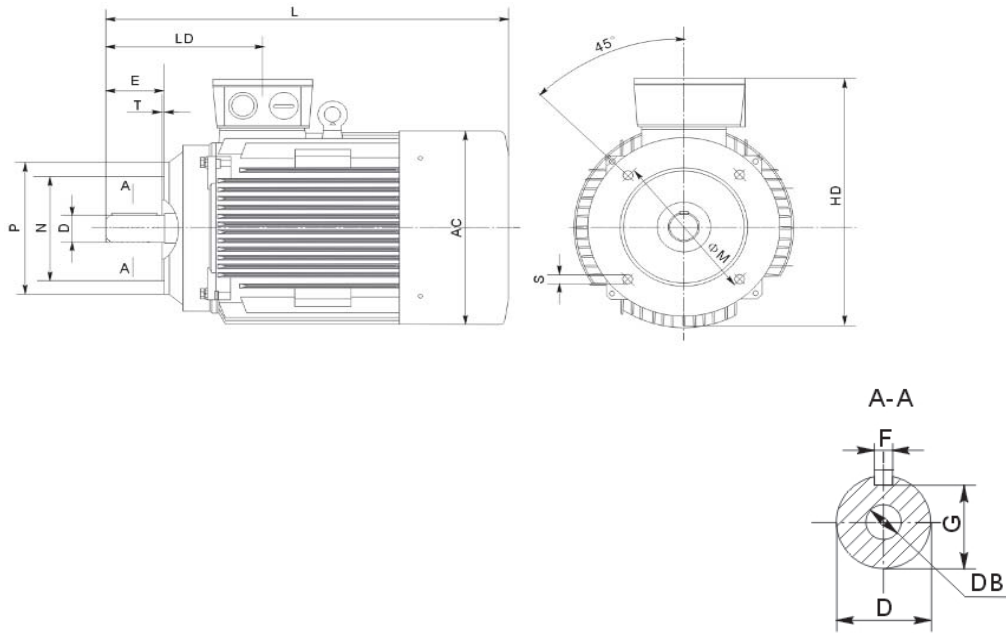


- A PART OF ADDTECH GROUP

DATA SHEET

Customer:	
Ref.:	
Order:	
Motor:	
Serial nr:	
Date:	11-07-2018

Flange mounted motor B14A & B14B



Flange type: **B14A**

M: 0
N: 0
P: 0
S: 0

B14B

0
0
0
0

HD: 470
L: 740
L (V1): 800

E: 110
D: 48
G: 42,5
DB: M16
F: 14

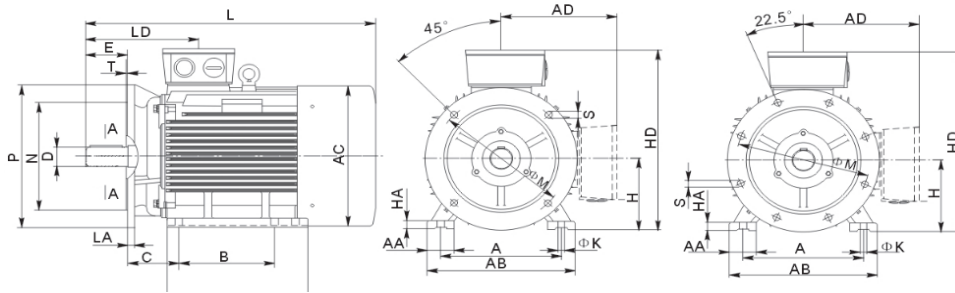


- A PART OF ADDTECH GROUP

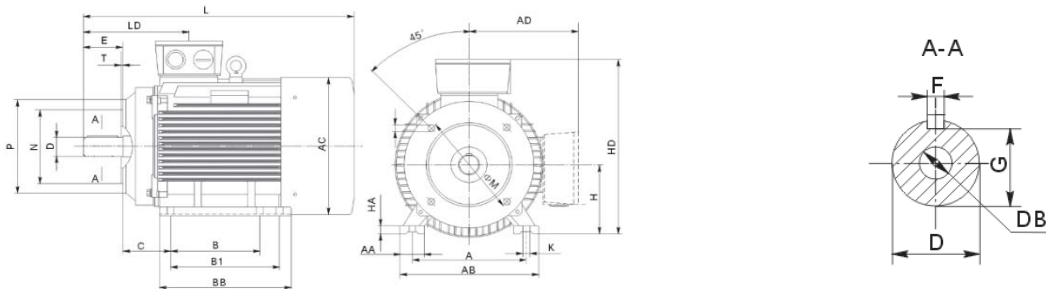
DATA SHEET

Customer:	
Ref.:	
Order:	
Motor:	
Serial nr:	
Date:	11-07-2018

Foot & flange mounted motor B3/B5



B3/B14A & B3/B14B



Flange type: B5

M: 300
N: 250
P: 350
S: 19

A: 279
B: 279
AB: 355
AC: 380
AD: 310

B14A

M: 0
N: 0
P: 0
S: 0

HD: 470
C: 121
H: 180
K: 15
L: 740

B14B

M: 0
N: 0
P: 0
S: 0

E: 110
D: 48
G: 42,5
DB: M16
F: 14

L (V1): 800

Bevi Group:
BEVI AB, Sweden
BEVI Nord AB, Sweden
BEVI A/S, Denmark
BEVI Norge A/S, Norway
BEVI Finland OY AB, Finland
BEVI Est Oü, Estonia
BEVI UAB, Lithuania
BEVI CHINA, China