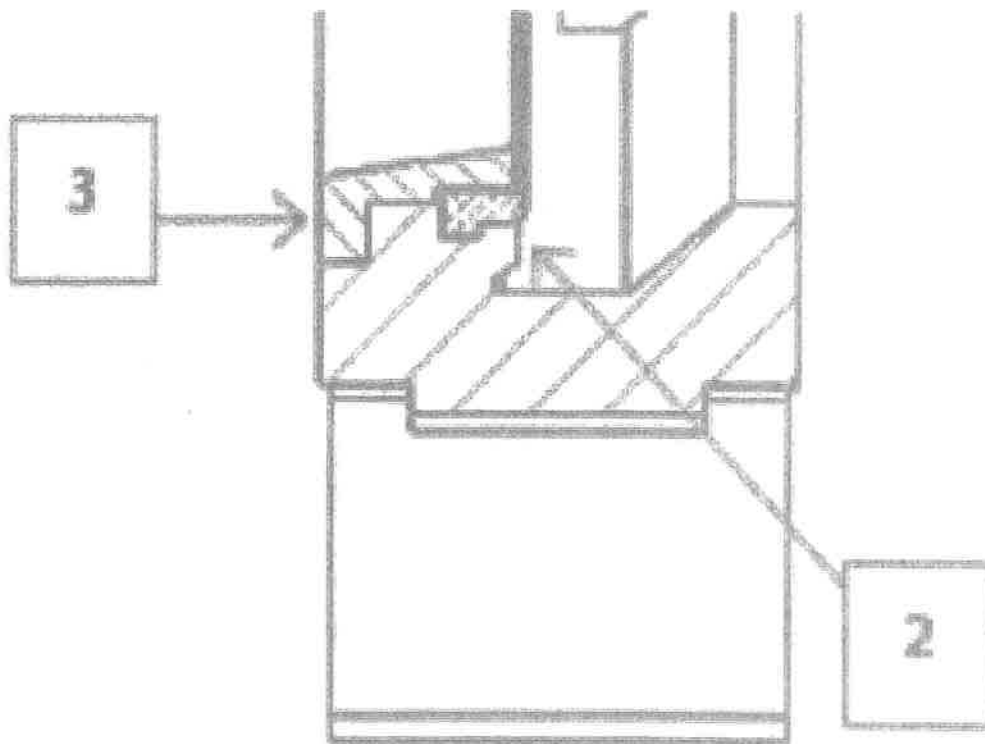


(5) Soft seated with scraper 8°

- 1 Fixing ring
- 2 Soft seat
- 3 Scraper 8°



Dimensions	A	B	C	D	D1	V	E	Kg
DN INCH	50	92	63	295	200	200	417	7
	2"	40	70	320	200	200	442	8
	2 1/2"	50	92	346	200	200	469	9
	3"	60	105	386	200	200	509	11
	4"	80	125	420	250	250	593	15
	5"	100	130	471	250	250	644	18
	6"	119	160	582	300	300	825	30
	8"	150	198	683	300	300	1028	44
	10"	180	234	790	300	300	1126	58
	12"	210	256	907	400	400	1357	96
	14"	240	290	1106	500	500	1651	124
	16"	270	340	1211	500	500	1756	168
	18"	300	340	1417	600	600	2062	192
	20"	330	452	1675	600	600	2440	285
	24"	360	505	1887	600	600	405	405
	30"	400	555		600	600	455	512
	36"	450	610		600	600	600	600
	40"	500	725		600	600	865	865
	48"	550			600	600		

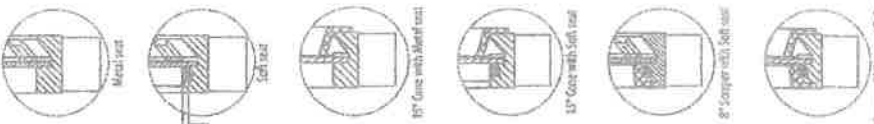
Pressure
 DN50 - DN250: 10 bar
 DN300 - DN400: 6 bar
 DN450 - DN500: 5 bar
 DN550 - DN600: 4 bar
 DN700 - DN1200: 2 bar

Colour
 RAL 5015

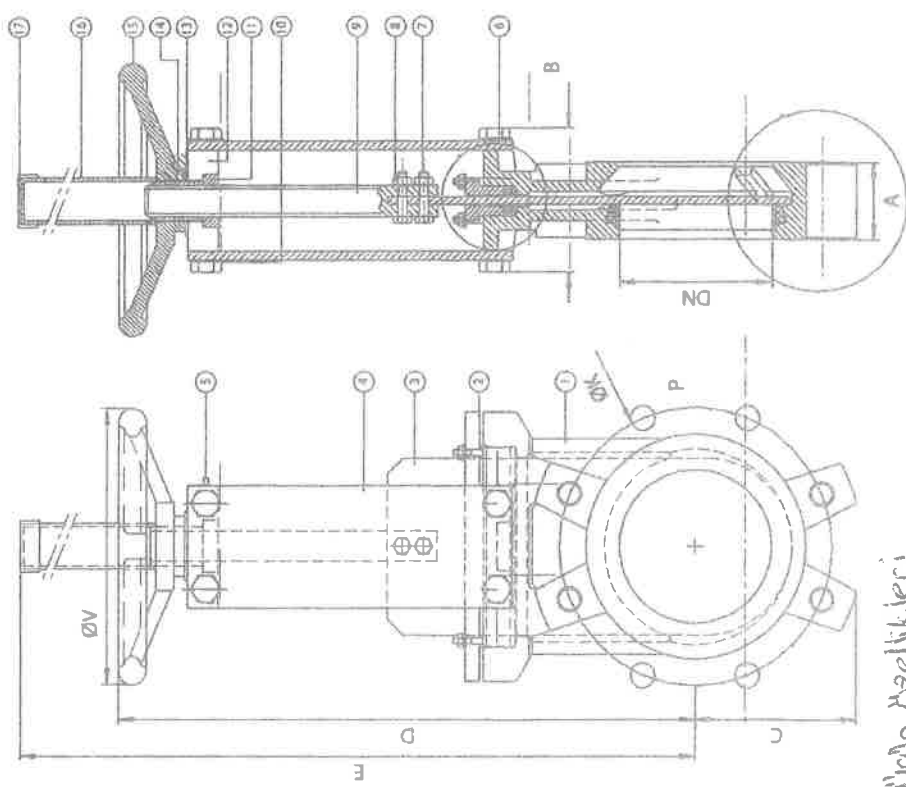
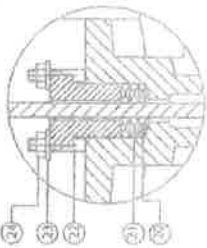
Flanges drilled according to EN 1092-2 and DIN 2501: ISO PN10 (for further informations please visit our website section on our website)

*Other dimensions / materials / colours on request

DETAIL A



DETAIL B



- Urdu Bzedlikleri.
- Knife gate valve type FM200 - DN400
- Connection : Wafer flanged PN16
- Body / Bonnet : WCB
- Gate : 1.4301 Oversized
- Stem : 1.4305
- Pressure range : 16 Bar
- Packing : PTFE - Synt / EPDM / PTFE - Synt.
- Seal : EPDM + Scraper QP*
- working temperature : -20°C + 120°C
- Actuator : pneumatic single / double acting oversized

FM200 - rising stem

Copyright © by
 PEACOR - Ananturam GmbH

RS 1001 113 - JS 99 28-1
 RS 1001 113 - JS 99 28-1

Web: www.peacor.de
 E-Mail: info@peacor.de

