

## Double flanged Butterfly Valves FG/F32

Type of Valve	Double flanged Butterfly Valve > Series FG/F- . . . > flanged-type > short neck > replaceable seat > central disc
PN DN 200 - 800	10 und 16
Bodyform	flanged
Length over all	EN 558-1, Reihe 20 (DIN 3202-K1)
Top flange	ISO 5211
Actuator	AUMA electric actuator SG 10.1
Body	GG-25 / epoxy coated
Disc	GGG-40 / epoxy coated
Stem	14021
Body liner	EPDM > max. temp. -10°C/+90°C

Die angeführten Temperaturen sind max. zul. Grenzwerte. Die Temperatur-Dauerbelastungen müssen unterhalb dieser Grenzwerte liegen.  
Sonderausführungen werden Ihnen auf Anfrage angeboten.

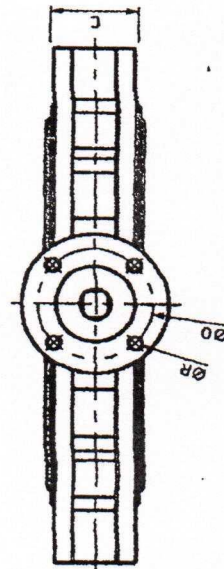
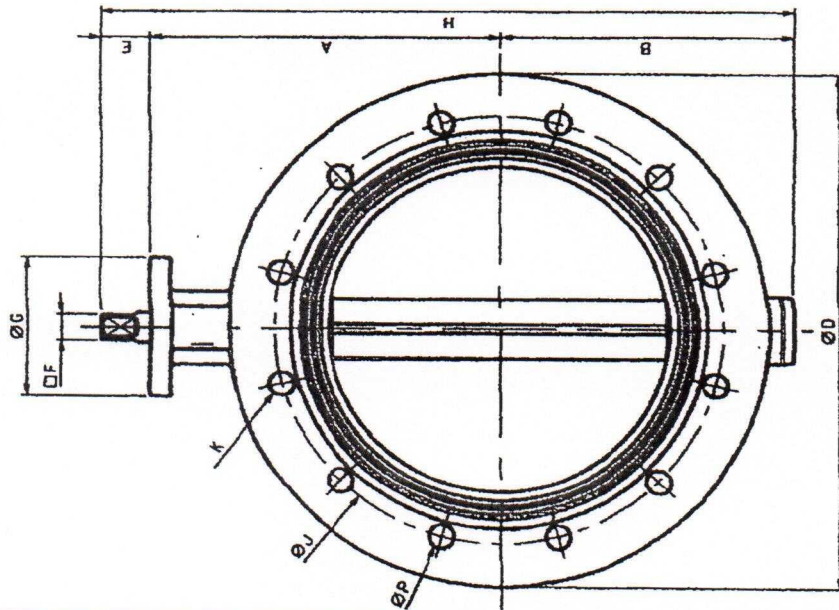
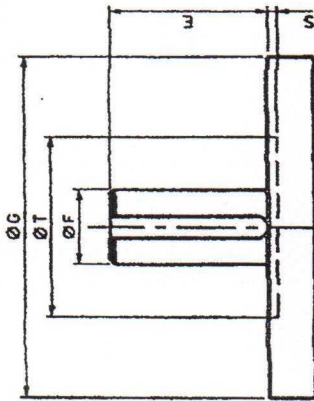
ITEM	DESIGNATION	MATERIAL	REMARKS
21	KEYWAY	STAIN-STEEL AISI 304	DN. 250-400
20	BOLT OF UPPER COVER	ZINC PLATED STEEL	DIN 7991
19	UPPER COVER	STEEL	COATING EPOXY
18	STAR WASHER DIN 6798	BLUING STEEL	DN. 250-350
17	"O" RING OF THE BEARING	NITRILE	-
16	SAFETY WASHER	COPPER	-
15	SAFETY NUT DIN 934	ZINC PLATED STEEL	DN. 250-400
14	"O" RING OF THE SHAFT	NITRILE	DN. 450-800
13	STRUT	STAIN-STEEL AISI 304	-
12	LOWER BOLT	ZINC PLATED STEEL	DN. 200 DIN 7991
11	"O" RING OF THE COVER	NITRILE	DN. 250/700 DIN 912
10	TIGHTNESS COVER	ALUMINIUM	DN. 800 DIN 931
9	ZEGI RING BODY	NICKEL PLATED STEEL	COATING EPOXY
8	RETAINING RING SHAFT	NICKEL PLATED STEEL	DN. 200 DIN 984
7	LOWER SHAFT	STAIN-STEEL AISI 420	DN. 250/700 DIN 472
6	DISC (3)	MOD CAST EN-GJS-400-15	RESICOAT RT9000R4
5	DISC (1)	STAIN STEEL A351 CFB	-
4	DISC (5)	STAIN STEEL A351 CFBM	-
3	DISC (4)	BRONZE-TAIN/ALUMINIUM	-
2	SEAT	E.P.O.M.	-
1	UPPER SHAFT	STAIN-STEEL AISI 420	-
0	LIP SEAL	NITRILE	-
-1	BUSHING	ACETAL DELRIN	DN. 200
-2	BODY	BRONZE DIN 1705	DN. 250-400
-3		CAST IRON EN-GIL-250	DN. 450-800
-4		MOD CAST EN-GJS-400-15	COATING EPOXY

**DESIGNATION: BUTTERFLY VALVE**  
**TYPE "FG(F)" - "FN(F)" DN. 200-800**  
**MATERIALS DETAIL**

EDLIER-BY: FJM APPROVED-BY: DP REVISION-NR: 05 PLAN-NR: FG(F)-0008-01  
 02-02-13 02-02-13

**TECHNICAL DATA**  
 ASSEMBLY: WITH FLANGES DIN PN10/16-ASA 150 LBS  
 MAX. TEMPERATURE OF WORKING: .....110°C (EPDM)  
 MAX. SERVICE PRESSURE:  
 FG(F)-FN(F) (DN. 200-800): .....10kg/cm<sup>2</sup>  
 FG(F)-FN(F) (DN. 200-800): .....15kg/cm<sup>2</sup>  
 FG(F)-FN(F) (DN. 200-800): .....11kg/cm<sup>2</sup>

**HYDROSTATIC AND RESISTANCE TEST**  
 OPEN VALVE:  
 FG(F)-FN(F) (DN. 200-800): .....15kg/cm<sup>2</sup>  
 CLOSED VALVE:  
 FG(F)-FN(F) (DN. 200-800): .....11kg/cm<sup>2</sup>



ASSEMBLYING FLANGE									
DN	PN.10			PN.16			ASA 150 lbs.		
mm	J	P	K	J	P	K	J	P	K
200	295	8xØ22		295	12xØ22		298.5	8xØ23	
250	350	12xØ22		355	12xØ26		362	12xØ25	
300	400	12xØ22		410	12xØ26		431.8	12xØ25	
350	460	16xØ22		470	16xØ26		476.3	12xØ30	
400	515	16xØ26		525	16xØ30		539.8	16xØ30	
450	565	16xØ26	4xM24	585	16xØ30	4xM27	578	16xØ32	
500	620	20xØ27		650	16xØ33	4xM30	635	16xØ32	4xM1 1/8"
600	725	20xØ30		770	20xØ36		749.3	20xØ35	
700	840	20xØ30	4xM27	840	20xØ36	4xM33	863.5	24xØ35	4xM1 1/4"
800	950	20xØ33	4xM30	950	20xØ39	4xM36	978	24xØ42	4xM1 1/2"

GENERAL DIMENSIONS										TOP FLANGE					
DN	Inch	A	B	C	D	E	F	G	H	WEIGHT	ISO	S	T	O	R
200	8"	240	183	60	345	45	16	90	468	21.2	F-07		70	102	4x12
250	10"	282.5	222.5	68	406	45	24	130	550	30.1	F-10	3	70	102	4x12
300	12"	308	261.5	78	480	45	24	130	614.5	52.9	F-10	3	70	102	4x12
350	14"	338.5	299	78	535	45	24	130	682.5	72.5	F-10	3	70	102	4x12
400	16"	360.5	333	102	587	54	35	160	767.5	95.3	F-12	4	85	125	4x14
450	18"	380.5	393.5	114	640	64	55	190	838	130.2	F-14	4	100	140	4x18
500	20"	432.5	417.5	127	700	64	55	210	914	177.7	F-14	4	100	140	4x18
600	24"	494	479	154	849	79	60	220	1052	267.4	F-16	5	130	165	4x22
700	28"	590	502	165	910	106	65	300	1198	296	F-25	5	200	254	8x18
800	32"	630	585	190	1065	106	80	300	1321	481	F-25	5	200	254	8x18

DESIGNATION: BUTTERFLY VALVE  
"FC(F)" TYPE. FREE SHAFT  
GENERAL DIMENSIONS

EDITED BY: FJM APPROVED BY: DP REVISION: N: PLAN N:  
02-02-12 02-02-12 05

FC(F)-0001-DT