

# MC350-4T-2S MC352-4P-2S

## 4-Port Gigabit to 2-Port SFP Industrial Media Converters



MC350-4T-2S  
Non-PoE

MC352-4P-2S  
PoE+ Support

### OVERVIEW

These IFS® Gigabit Ethernet to SFP Industrial Media Converters are designed for the most demanding IP network applications offering the flexibility of SFP technology and wide operating temperature range. The MC352-4P-2S model provides full IEEE802.3-at (30w) PoE and serves as a PSE device.

#### SFP Technology

These models convert 10/100/1000Base-T Ethernet on copper to 100Base-X or 1000Base-X fiber via Small Form-factor Pluggable (SFP) technology. These media converters can be custom configured to your exact system design specifications by utilizing a variety of IFS SFP Mini-GBIC modules. IFS SFP Mini-GBIC modules are available in a variety of versions from multi-mode or single mode fiber, 1 or 2 fibers and wide-temperature versions.

#### Flexible Drop-and-Repeat or Redundant Path Operation

These models support 2 SFP ports that can easily be configured for either drop-and-repeat or redundant path operation. In drop-and-repeat mode, the units operates like a 6-port switch and can be used as a repeater with an electrical drop or simply as an optical repeater/extender. In redundant path mode, the unit will quickly switch to the second SFP port as a redundant path if the primary optical path experiences an optical cable failure. Also, if the primary destination port link is down, the module will forward the data packet to the redundant path providing a highly fault-tolerant solution for mission critical IP applications.

### STANDARD FEATURES

#### Ethernet

- 10/100/1000 Base-T
- Complies with IEEE 802.3, IEEE 802.3u, IEEE 802.3ab
- Auto-negotiation and MDI/MDI-X
- 10/100/1000Base-T: 4-pair Cat. 5e/6 UTP cable, up to 100 meters

#### SFP (Mini-GBIC) Port

- Supports Fast or GigE SFPs
- 2 SFP slots provide for custom configuration
- Optical fiber and distance varies by SFP (ordered separately)

#### Power over Ethernet (MC352-4P-2S)

- Complies with IEEE 802.3at
- Inserts 52VDC (30w) power on Category network cable
- Protects non-PoE devices if accidentally connected
- Backwards compatible with IEEE802.3af

#### Installation & Diagnostics

- Plug-n-play installation
- LED indicators for easy local network diagnostics
- Firmware upgradable via remote Web interface
- Reset button at the front panel for resetting to factory default

#### Robust Hardened Design

- Slim IP30 metal enclosure
- DIN-rail or wall-mounting
- 12 ~ 48VDC or 24VAC Operation (MC350-4T-2S)
- 48VDC Operation (MC352-4P-2S)
- Redundant power with reverse-polarity protection
- Alarm relay output for port breakdown and power-failure alert
- Voltage/surge-suppression
  - EFT 6000VDC protection for power lines
  - ESD 6000VDC protection for Ethernet
- Complies with IEC60068-2-xx standards for free-fall, shock and vibration
- Wide operating temperature range of up to -40°C ~ +75°C

#### Warranty

- 3-year warranty

# Specifications

## Ethernet

### MC350-4T-2S

### MC352-4P-2S

Data Rate	10/100/1000Base-TX port
Throughput (packet per second)	1,488,000pps
Switch Architecture	Store-and-forward
Jumbo Packet Size	9K
Flow Control	Back Pressure for Half Duplex, Mode Pause for Full-Duplex Mode IEEE 802.3x
Connector	RJ-45 (Auto-MDI/MDI-X)
Electro Static Discharge (ESD) Protection	6KVDC
Cable Type and Distance	10Base-T: 2-pair UTP Cat. 3,4,5, up to 100m (328 ft.) 100Base-TX: 2-pair UTP Cat. 5e, up to 100m (328 ft.) 1000Base-T: 4-pair UTP Cat. 5e, 6 up to 100m (328 ft.)

## Fiber

Data Rate	100Base-FX and 1000Base-SX/LX/BX
Connector	SFP (Mini-GBIC) port
Fiber Type and Distance	Varies by SFP module

## Power over Ethernet (PoE) Injector (MC352-4P-2S Only)

PoE Standard	N/A	IEEE 802.3af / 802.3at High Power over Ethernet / PSE
Power PIN Assignment	N/A	End-Span, (+) Pins 1 & 2; (-) Pins 3 & 6
Power Output per Port	N/A	52VDC 15.4 Watts or 52VDC 30 Watts

## LED Indicators & Controls

Power/Status	Green/On – power	
Power Fault	Proper Operation – Off; Fault – Green	
10/100/1000Base-TX port	Green/On – active port (TX/RX)	Green/On – active port (TX/RX); Amber/On – PoE in-use
SFP (Mini-GBIC) port link	Green/On – link established	

## Electrical & Mechanical

Power (Redundant with reverse polarity protect function)	12 ~ 48VDC or 24VAC (7.2watts)	48VDC (15.1 watts no PoE; 135.1W full load)
Electrical Fast Transient (EFT) Protection	6KVDC	
Alarm	Provides one relay output for power failure notification Alarm relay maximum current: 1A @ 24VDC	
Power and Alarm Fault Connector	6-pin removable screw terminal	
Enclosure	IP30 rated metal enclosure	
Dimensions (H x W x D)	1.25 x 5.32 x 3.43 in. (32 x 135 x 87mm)	2.8 x 5.9 x 4.2 in. (72 x 152 x 107mm)
Weight	1.2 lbs. / 500 grams	3.39 lbs. / 1539 grams

## Environmental

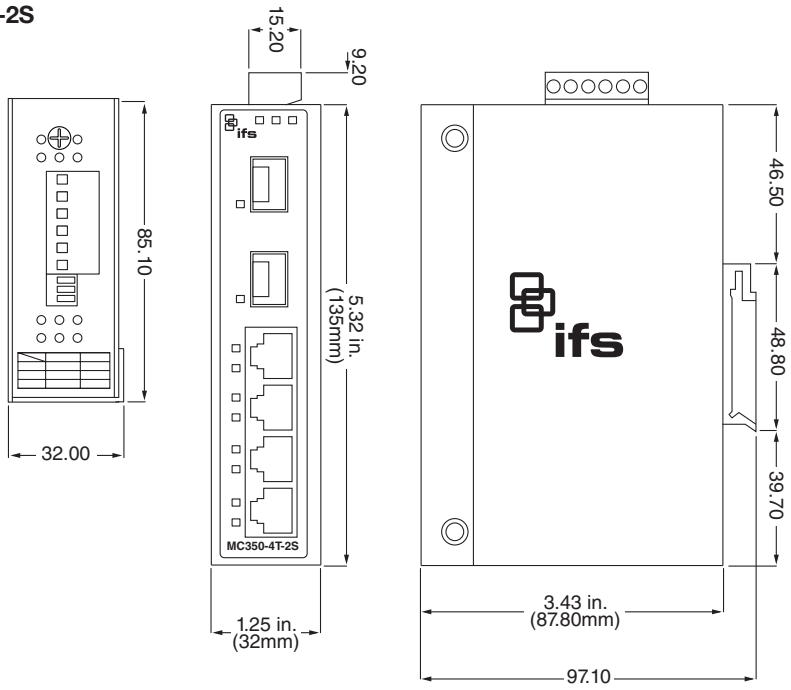
Operating Temperature	-40°C~+75°C	
Storage Temperature	-40°C~+75°C	
Relative Humidity	0%~95% (non-condensing)	
MTBF	> 50,000 hrs @ 25°C	

## Standards Compliance

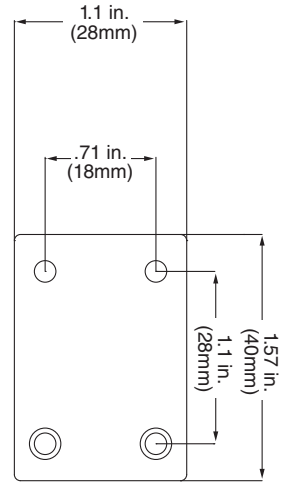
IEEE	IEEE 802.3 10Base-T IEEE 802.3u 100Base-TX /100Base-FX IEEE 802.3ab 1000Base-TX IEEE 802.3z 1000Base-SX/LX/BX IEEE 802.3x Flow Control and Back Pressure	IEEE 802.3 10Base-T IEEE 802.3u 100Base-TX /100Base-FX IEEE 802.3ab 1000Base-TX IEEE 802.3z 1000Base-SX/LX/BX IEEE 802.3x Flow Control and Back Pressure IEEE 802.3af Power over Ethernet IEEE 802.3at High Power over Ethernet
EMI	EN 55022 CLASS A EN61000-3-2:2006 EN61000-3-3: 1995+1A:2001+A2:2005	
EMS	EN 55024:1998+A1:2001+A2:2003 IEC 61000-4-2:2001 IEC 61000-4-3:2008 IEC 61000-4-4:2004 IEC 61000-4-5:2005 IEC 61000-4-6:2008 IEC 61000-4-8:2001	
Stability	IEC60068-2-32(Free fall) IEC60068-2-27(Shock) IEC60068-2-6(Vibration)	

# Dimensional Diagrams

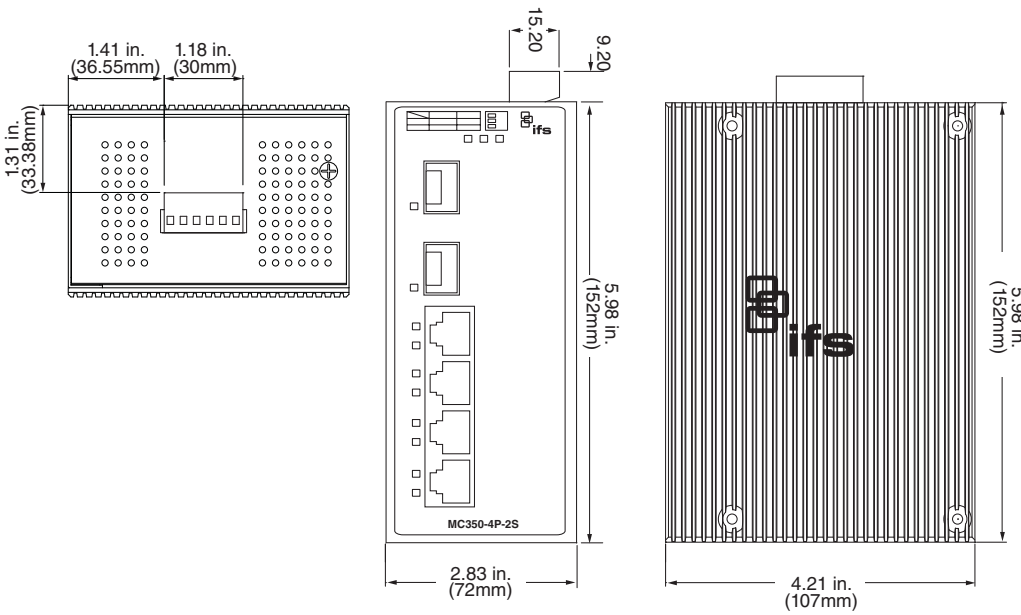
**MC350-4T-2S**



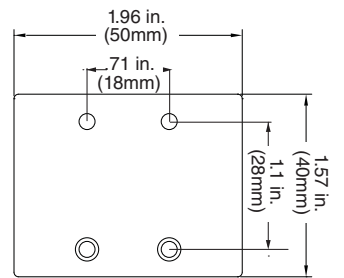
**Mounting Kit**



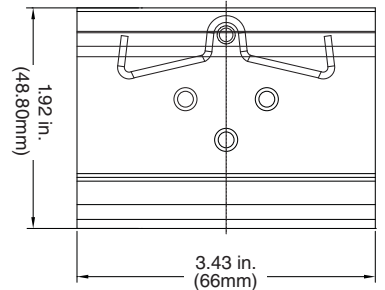
**MC352-4P-2S**



**Mounting Kit**



**DIN-Rail Kit**



# MC350-4T-2S MC352-4P-2S

North America  
T 855-286-8889

Latin America  
T 561-998-6114

4-Port Gigabit to 2-Port SFP  
Industrial Media Converters

## Ordering Information

<b>MC350-4T-2S</b>	4-Port Gigabit to 2-Port SFP Industrial Media Converter
<b>MC352-4P-2S</b>	4-Port Gigabit PoE+ to 2-Port SFP Industrial Media Converter
<b>Included Accessories</b>	User's Manual, DIN Rail Kit, Wall Mount Kit

Note: These units require a Small Form-factor Pluggable (SFP) for operation. IFS SFPs are available for multi-mode, single mode, 1 or 2 fibers for various transmission distances over optical fiber. Please refer to the IFS SFP data sheet to select the appropriate SFP for your particular application needs. It is recommended that Gigabit SFPs be used for best performance.

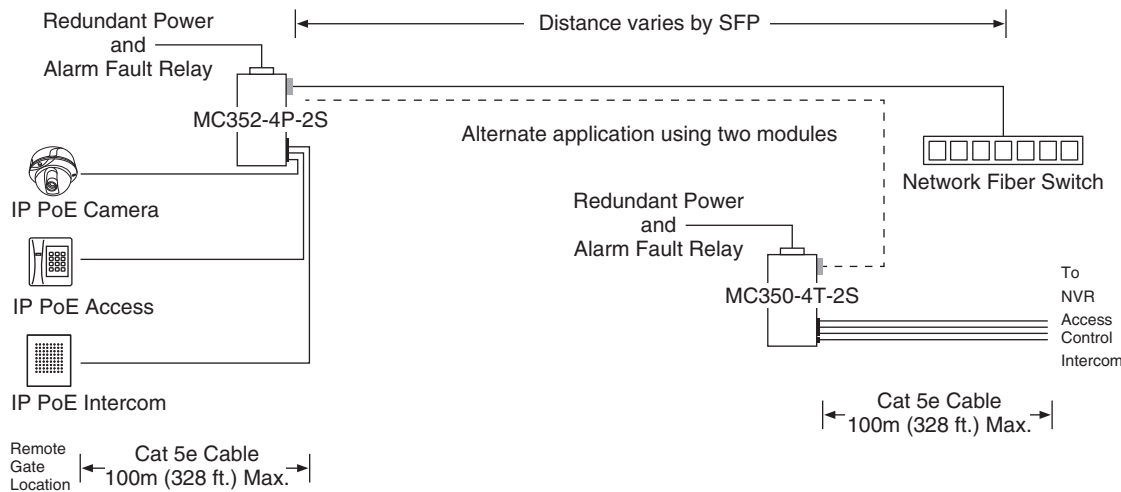
Note: External power supply must be ordered separately.

## Accessories

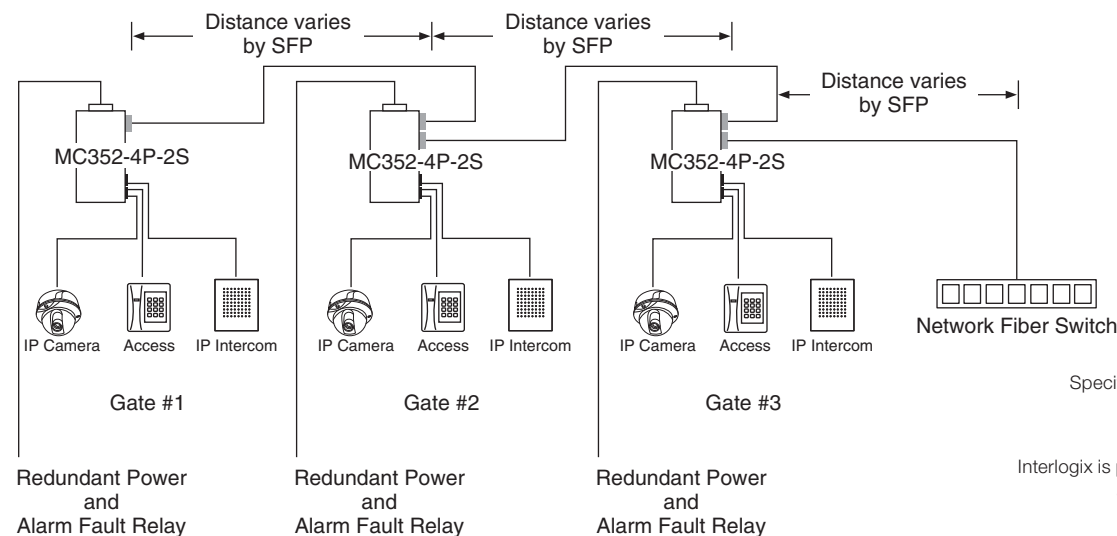
SFP	S30 Series
SFP	S35 Series (wide-temp)
SFP	S20 Series
SFP	S25 Series (wide-temp)
PS12VDC1.5A-U	12VDC, 1.5A External Power Supply (for use w/MC350-4T-2S only)
PS48VDC240W-DIN	48VDC, 5A (240W) DIN-Rail Mount Hardened Power Supply (100-240VAC)

## Typical Applications

### Point-to-Point Application



### Drop-and-Repeat Application



interlogix.com

Specifications subject to change without notice.

© 2013 United Technologies Corporation.

All rights reserved.

Interlogix is part of UTC Building & Industrial Systems, a unit of United Technologies Corporation.

310-3739 2013/12 (76214)