

SH. 1  
OF 1

CAT NO

657D

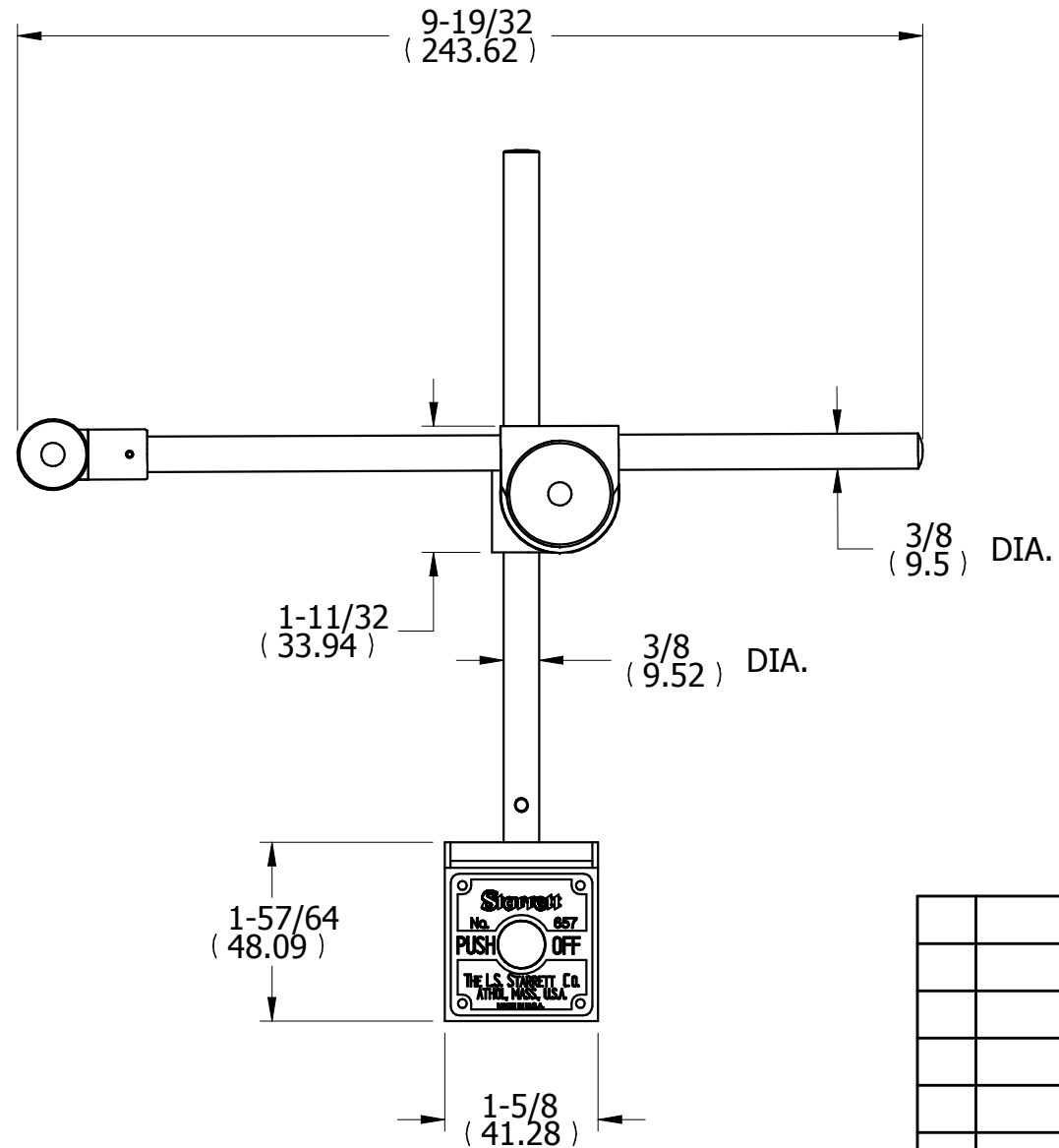
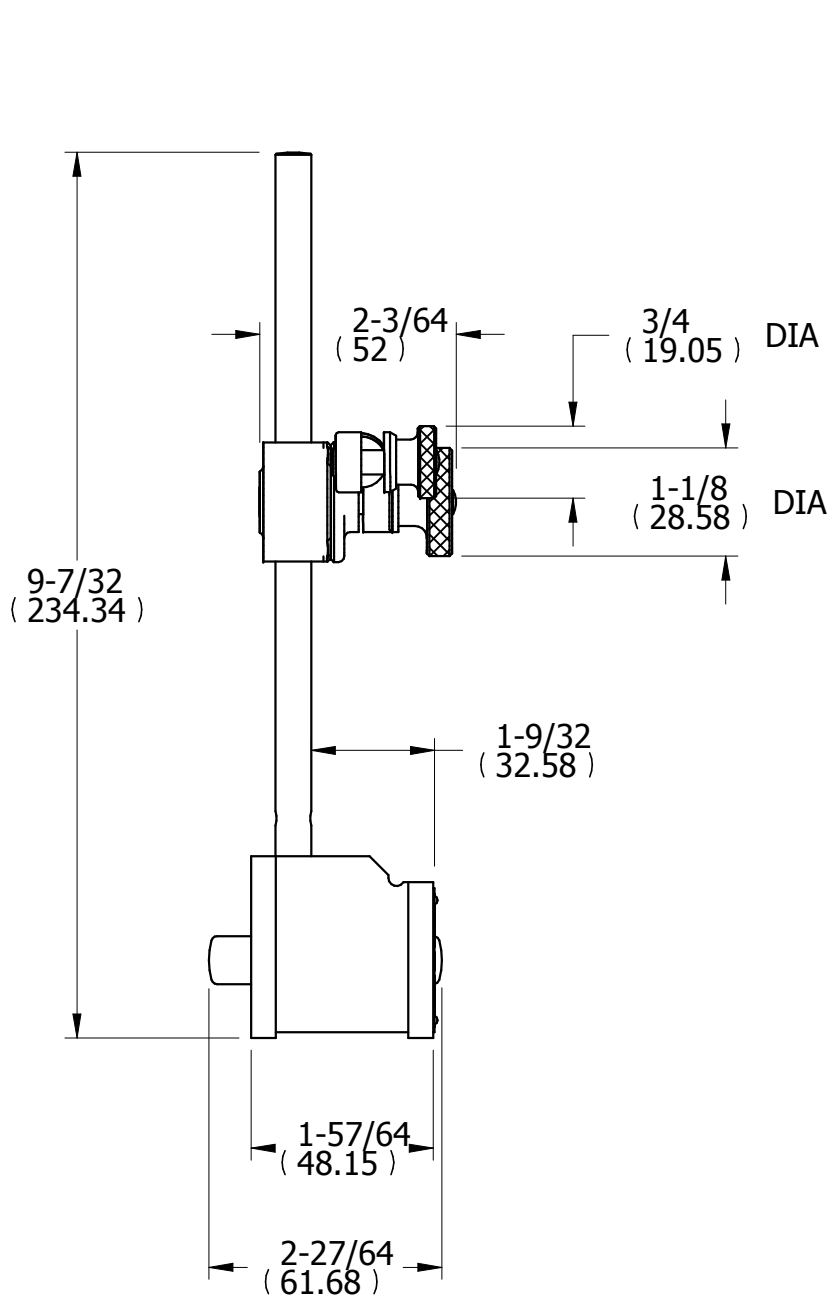
CUSTOMER DIMENSIONS

DO NOT  
SEPARATE  
PRINT FROM  
WORK

LOT NO

OPER

TOOLS




REV	DESCRIPTION	DATE	BY
DR	DSP	CHK	DATE

MAGNETIC BASE  
INDICATOR HOLDER

TOLERANCES - UNLESS OTHERWISE SPECIFIED	1 PLACE DEC. or REF. : +/- .015" --- 0.4 mm 2 PLACE DEC. : +/- .010" --- 0.25 mm	3 PLACE DEC. : +/- .003" --- 0.08 mm 4 PLACE DEC. : +/- .0005" --- 0.01 mm	FRACTIONAL: +/- 1/64" ANGULAR: +/- 1 DEGREE	THE L.S. STARRETT CO. ATHOL, MASS.
---	---	---	--	---------------------------------------