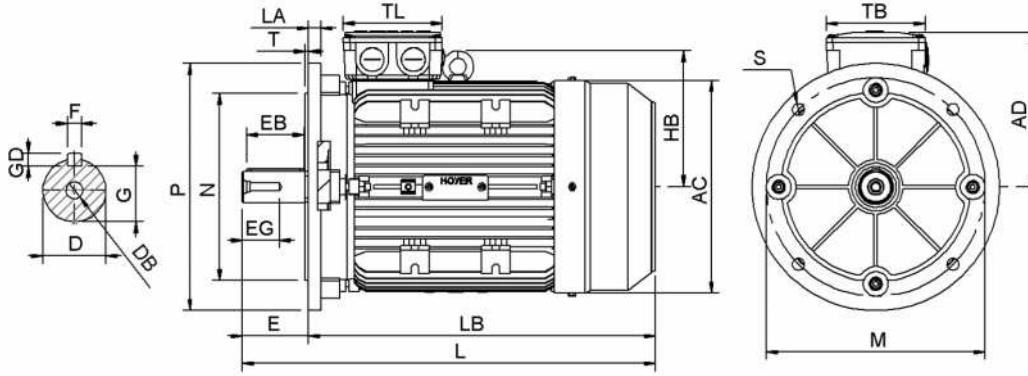


# Data Sheet

Itemnumber....: 5541321209



AC = 258	DB = M12	EG = 30	GD = 8	LA = 15	M = 265	S = 4-Ø14.5	TL = 120
AD = 187	E = 80	F = 10	H = 132	LB = 421	N = 230	T = 4	
D = 38	EB = 70	G = 33	L = 501	LE = 491	P = 300	TB = 120	

**Version**  
 Type.....: HMA3 132M-4  
 Design.....: Induction motor  
 Standard series.....: IEC 60034  
 Phase / Voltage range.....: 3~ / Low

**Electrical design**  
 Efficiency.....: IE3  
 Pole.....: 4  
 Power at 50 Hz (kW).....: 7,50  
 Hz.....: 50  
 Voltage.....: 400VD/690VY  
 Winding voltage.....: 400VD/690VY 50 Hz  
 Power output (kW).....: 7,50  
 Duty.....: S1  
 Insulation class.....: F  
 Temperature rise.....: B

**Mechanical design**  
 Frame size.....: 132  
 Mounting.....: B5  
 Rain cap.....: No  
 Protection class.....: IP55  
 Cooling method.....: IC411/TEFC  
 External grounding.....: Yes  
 Drain hole.....: Yes  
 Frame material.....: Aluminium  
 Material approval.....: None  
 Shaft.....: IEC standard  
 Key.....: Closed key  
 Balancing.....: Half key balancing  
 Vibration class.....: Grade-A  
 Weight (kg).....: 58,0

**Bearing**  
 DE Bearing.....: 6308-ZZ/C3  
 NDE Bearing.....: 6308-ZZ/C3  
 Fixed bearing.....: DE

**Terminal box**  
 Tbox position.....: Top  
 Cable entry direction.....: Right (from DE)  
 Cable entry  
     Main.....: 2 x M25x1,5  
                     Plastic blindcaps  
     Accessory.....: 1 x M20x1,5  
                     Plastic blindcap  
 Connection type.....: Delta (D)  
 Terminal board thread.....: 6-M5

**Environment condition**  
 Ambient temp. min. (°C)..: -20  
 Ambient temp. max. (°C)..: 40  
 Altitude (mtr up to).....: 1000

**Test values**  
 Rotor inertia (kgm²).....: 0,044  
 Noise level (dB(A)).....: 61  
 No load current (A).....: 5,70  
 Winding resist. (ohm).....: 1,44  
 Starting time (sec.).....: 0,06  
 Temp. rise winding (K).....: 54  
 Temp. rise surface (K).....: 48

**Motor protection**  
 Thermal protection main....: PTC 3x 155 dgr  
 Thermal protection second..: None  
 Space heater.....: None  
 Temperature detector.....: No  
 SPM.....: No  
 IR wire.....: No  
 Tropical insulation.....: No

**Explosion protection**  
 According to.....: None  
 Type of protection.....: None

**General**  
 Direction of rotation.....: CW  
 Painting.....: RAL 9005 Gloss 10  
 Nameplate.....: Multivoltage  
 Special packing.....: No  
 Special requirements.....: No

Rated power (kW)	7,50	7,25	9,00	8,75
Frequency (Hz)	50	50	60	60
Voltage (V)	400 690	380 660	480 830	440
Connection	D Y	D Y	D Y	D
Full load current (A)	14,2 8,15	14,6 8,40	14,2 8,15	14,6
Speed (rpm)	1460	1460	1750	1750
Power factor cos(phi)	0,85	0,86	0,85	0,87
Efficiency, 100/75/50 (%)	90,5/91,2/90,9	90,5/91,2/90,9	90,5/91,2/90,9	89,8/90,6/90,3
Ist/In	8,8	7,8	8,8	8,1
Full load torque (Nm)	49,0	47,5	49,0	47,5
Tst/Tn	2,9	2,7	2,9	2,5
Tmax /Tn	3	2,8	3	2,6
Duty	S1	S1	S1	S1
Ambient temp. (°C)	40	45	40	45