

Manufacturer Customer

**VEM motors GmbH**  
**Carl-Friedrich-Gauß-Straße 1**

**38855 WERNIGERODE**  
**Deutschland**

### Three-phase motors with squirrel cage rotor, standard motors

#### Housing grey cast iron

Type	IE3-W41R 180 M2C EE TPM VL HW	
CC-No.	( - )	CC301B
Design output	[kW]	26
Design output	[HP]	34,9
Design torque	( Nm )	70
Nom. Efficiency	( - )	91,7%
Efficiency determination		IEEE 112
Code Letter		H
Duty type		S1
Design frequency	( Hz )	60
Design speed	[rpm]	3565
Voltage	( V )	460
Connection	( - )	D
Current	( A )	38.0
Relative pull-in current	( - )	7,5
Relative starting torque	( - )	1,6
Relative pull-out torque	( - )	2,7
Power factor	( - )	0,93
Th. cl.		155(F/B)
Coolant temperature	( °C )	-20°C...+40°C
Altitude above sea level	( m )	1000m
Degree of protection IP		IP55
Moment of inertia	( kgm <sup>2</sup> )	0,1717
Motor weight	( kg )	215
Bearing, D-side		NU 310 E
Bearing, N-side		6310 C3
Relubrication interval	( h )	
Grease type		ASONIC GHY 72
Grease amount	( g )	

#### Options

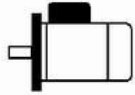
Type of mounting	IMB5
Flange:	FF 300[A 350]
Terminal box	Standard
Position of terminal box	on the top
Cable gland	Sealing plug
Position of cable entry	right
Shaft	Standard
Bearing	Heavy bearing arrangement D-side
Special details to bearings	Fixed bearing, N-side
Winding protection	1 setptc resistors
Limit values to vibration velocity	Class A
Colour system	Balancing with half key 01 Moderate (KK C2),RAL 7031 blue-grey,70 µm
Delivery conditions and/or official regulations:	IEC / EN 60034-1 Compliance Certification of DOE

This document was produced electronically, all specifications are valid only after confirmation of the manufacturer

Three-phase motors with squirrel cage rotor, standard motors  
Housing grey cast iron

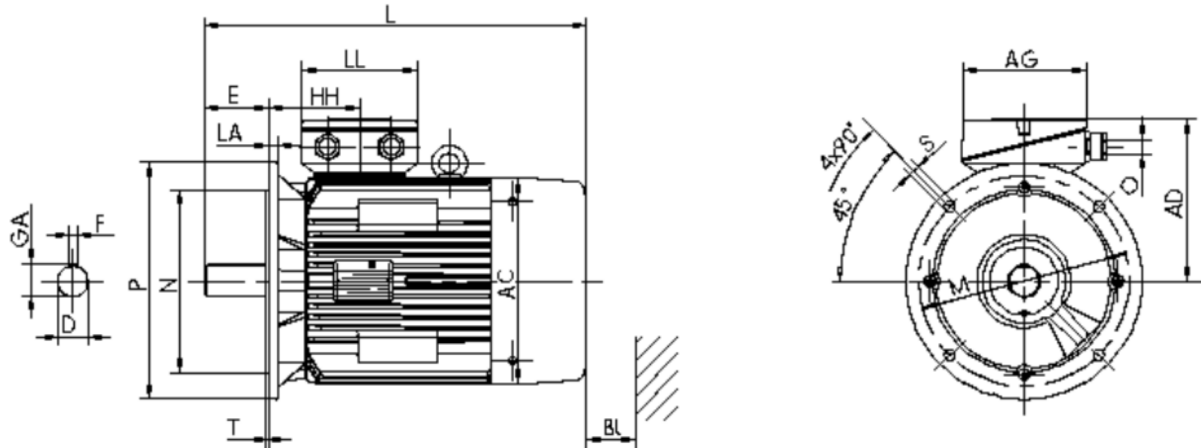
## IE3-W41R 180 M2C EE TPM VL HW

### Mounting position



Type of mounting: IMB5  
Flange: FF 300[A 350]  
Position of terminal box: on the top  
Brake type:  
Forced-ventilation:

Terminal box: KK 63 A  
Cable gland O: 1 xSealing plug



### Motor

A	AA	AB	AC	AD	B	B'	BA	BA'	BB	C	CA	K	K'
-	-	-	351	261	-	-	-	-	-	-	-	-	-
L	LC	H	HA	HD	HH	BI	<b>Terminal box</b>						
680	-	180	-	-	147	35	AG	LL	BE	AH			
							193	167	-	-			

### Flange

P	N	LA	M	T	S	<b>Tolerances</b>			
350	250	13	300	5	18	H	N	D	DA
						-0,5	h6	k6	k6

### Shaft-DS

D	E	GA	F	DB	<b>Shaft-NS</b>			
48	110	51,5	14	DIN 332 DS- M16	DA	EA	GC	FA
					-	-	-	-

### DB...Centre hole

Delivery conditions and/or official regulations: IEC / EN 60034-1

This document was produced electronically, all specifications are valid only after confirmation of the manufacturer