



# Heat Detector

## **Salwico SWM-1KL**

Part no.	37170	SWM-1KL, 57°C
	37171	SWM-1KL, 80°C
	37172	SWM-1KL, 100°C

System: All Salwico Fire Alarm Systems

### Description

The SWM-1KL is a fixed temperature heat detector, designed for use in damp spaces. It contains a bimetallic thermostat, which closes its contacts at alarm temperature.

A red LED optically indicates fire alarm on the detector. The indication remains on until the alarm has been reset in the central unit.

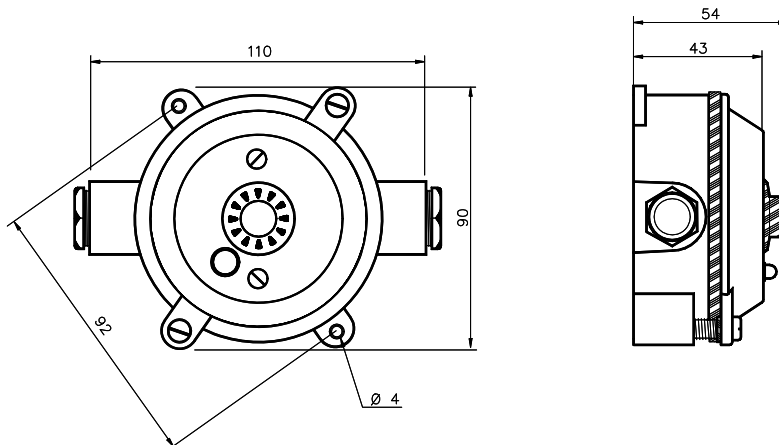
The SWM-1KL is made in four different versions for the alarm temperatures 57°C, 80°C, 100°C and 140°C. See separate datasheet for SWM-1KL 140°C (art. no. 37174).

The detector is also available in an intrinsically safe version, SWM-1KL/IS, see separate datasheet.

### Data

Nominal voltage	24 VDC
Working voltage	17 - 31 VDC
Working current	0.005 mA
Alarm current	Max 100 mA at 24 VDC without end of line resistor
Alarm resistance	300Ω
Function	Closing
Alarm temp.	57°C (Grade 2), 80°C, 100°C
Temperature range	-10°C to +70°C
Cable glands	6 - 11 mm
Material	Aluminium
Ingress protection	IP65
Colour	Off-white
Weight	250 g

### Dimensions (mm)



### Connection

