
FLANGE ACCOMMODATION

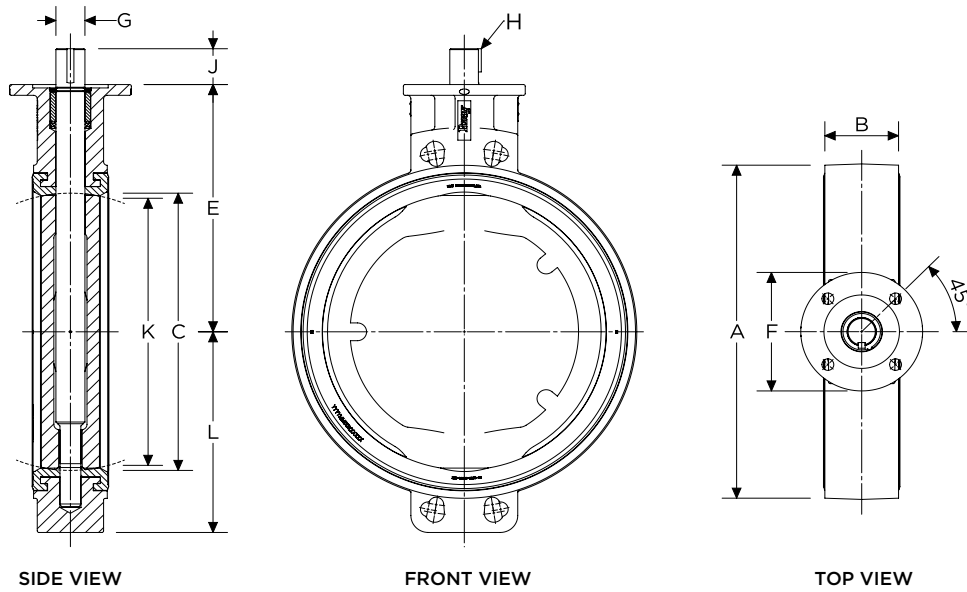
DN	PN 6			PN 10			PN 16		
	Bolt Circle Ø	No of Holes	Threads	Bolt Circle Ø	No of Holes	Threads	Bolt Circle Ø	No of Holes	Threads
50	110	4	M12	125	4	M16	125	4	M16
65	130	4	M12	145	4	M16	145	4	M16
80	150	4	M16	160	8	M16	160	8	M16
100	170	4	M16	180	8	M16	180	8	M16
125	200	8	M16	210	8	M16	210	8	M16
150	225	8	M16	240	8	M20	240	8	M20
200	280	8	M16	295	8	M20	295	12	M20
250	335	12	M16	350	12	M20	355	12	M24
300	395	12	M20	400	12	M20	410	12	M24

Above information according to EN 1092.
Contact factory for individual bolt information.

DIMENSIONS [MM]

DN	A	B	Ø C	E	Ø F	Top Plate Drilling				Ø G	H	J	K	L	Weight (Kg)
						ISO	Bolt circle Ø	No of Holes	Hole Ø						
50	94	43	51	140	90	F07	70	4	10.0	14	10	32	34	56	2.5
65	106	46	64	152	90	F07	70	4	10.0	14	10	32	49	63	3.0
80	124	46	76	159	90	F07	70	4	10.0	14	10	32	65	71	3.5
100	154	52	102	178	90	F07	70	4	10.0	16	11	32	91	87	5.0
125	181	56	127	190	90	F07	70	4	10.0	19	13	32	118	102	6.5
150	206	56	146	203	90	F07	70	4	10.0	19	13	32	138	115	8.0
200	267	60	197	241	150	F12	125	4	14.0	22	16	32	189	146	15.5
250	324	68	248	273	150	F12	125	4	14.0	30	22	51	242	181	22.5
300	378	78	298	311	150	F12	125	4	14.0	30	22	51	291	206	30.5

Note:
K is disc chordal dimension at face of valve.



FLANGE ACCOMMODATION

DN	PN 6			PN 10			PN 16		
	Bolt Circle Ø	No of Holes	Threads	Bolt Circle Ø	No of Holes	Threads	Bolt Circle Ø	No of Holes	Threads
350	445	12	M20	460	16	M20	470	16	M24
400	495	16	M20	515	16	M24	525	16	M27
450	550	16	M20	565	20	M24	585	20	M27
500	600	20	M20	620	20	M24	650	20	M30

Above information according to EN 1092.
Contact factory for individual bolt information.

DIMENSIONS [MM]

Top Plate Drilling

DN	A	B	Ø C	E	Ø F	Top Plate Drilling				Ø G	H Key Size [mm]	J	K	L	Weight (Kg)
						ISO	Bolt circle Ø	No of Holes	Hole Ø						
350	433	78	337	346	150	F12	125	4	14.0	35	10x10	51	331	238	43.0
400	488	102	387	375	150	F12	125	4	14.0	35	10x10	51	377	273	61.5
450	536	114	438	406	210	F16	165	4	21.0	50	12x10	64	428	305	91.0
500	591	127	489	438	210	F16	165	4	21.0	50	12x10	64	476	348	118.0

Note:
K is disc chordal dimension at face of valve.