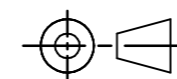
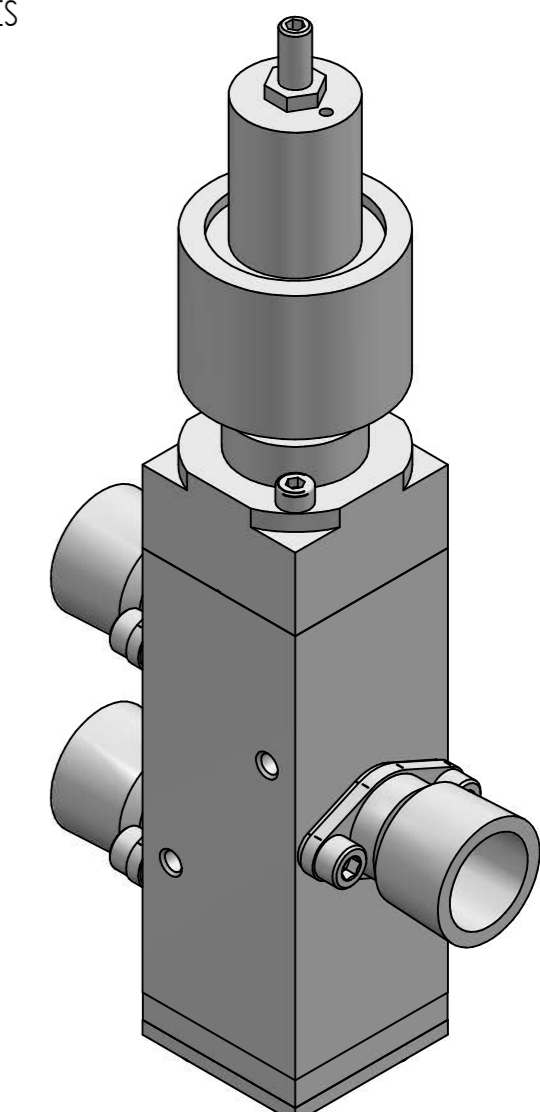
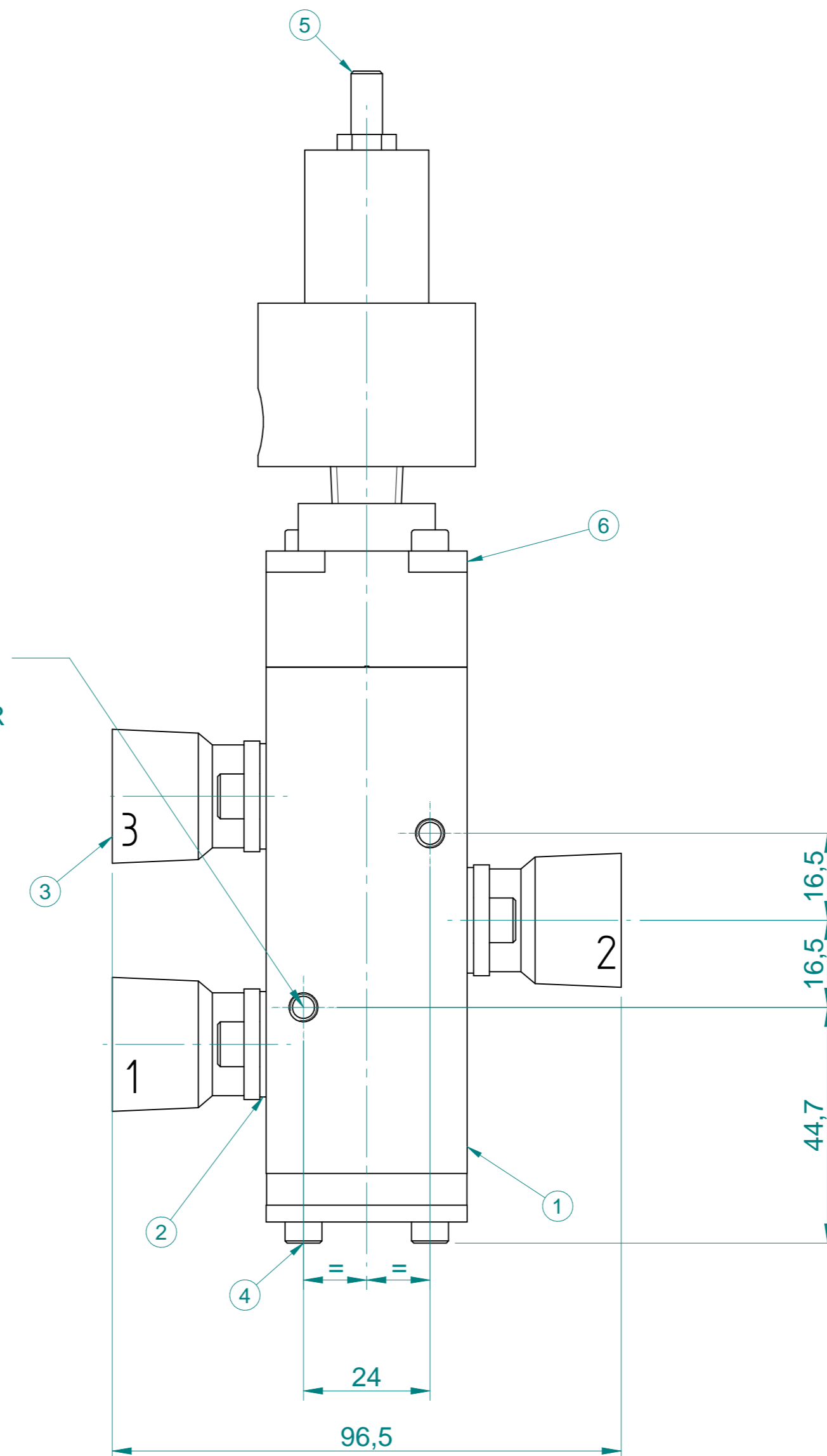
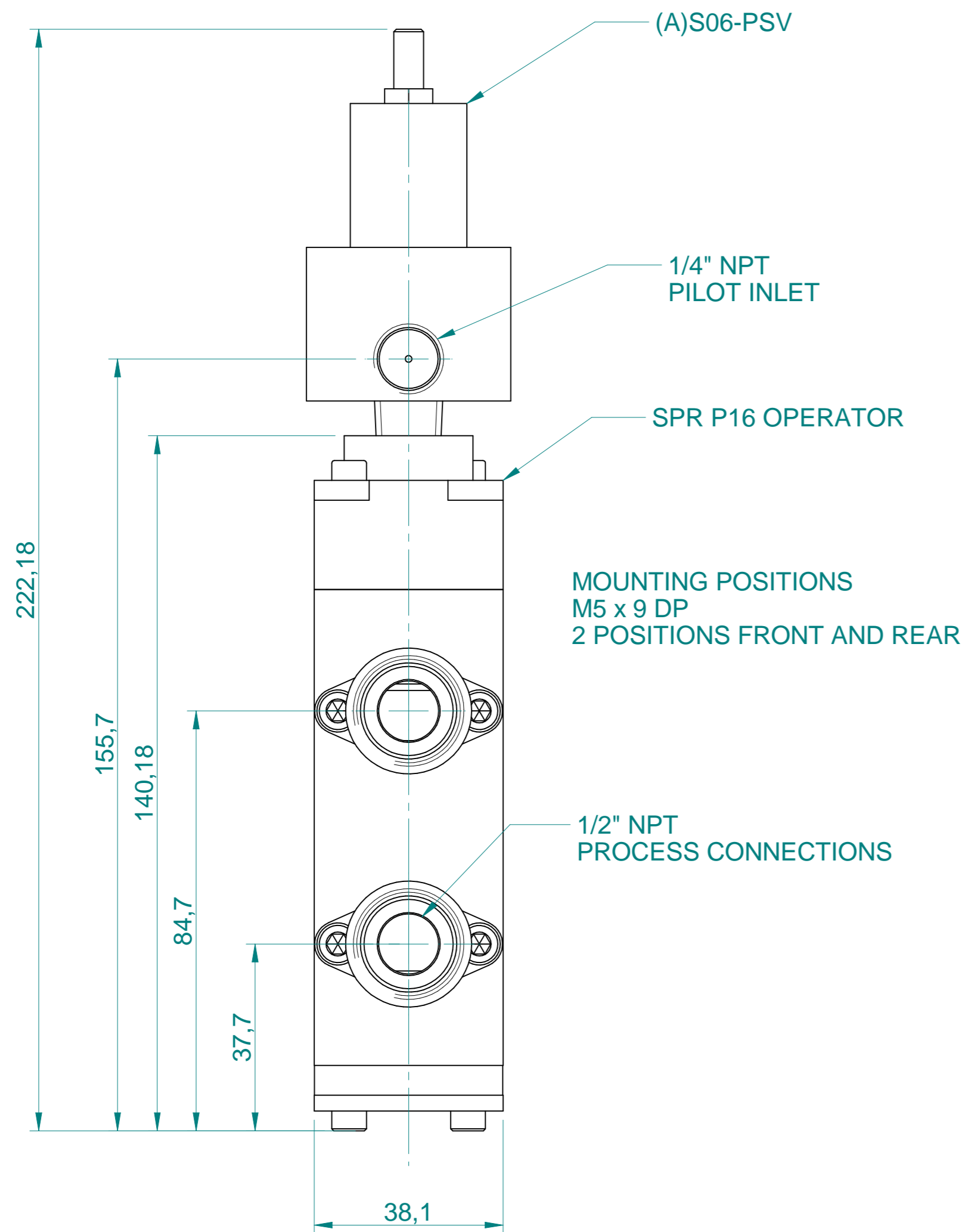


DO NOT SCALE

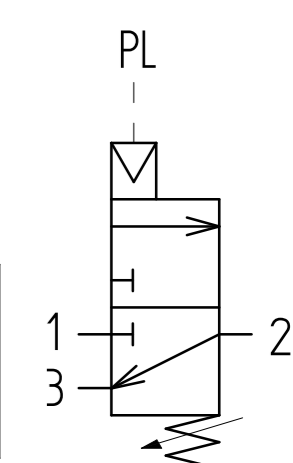
THIRD ANGLE PROJECTION



DIMENSIONS IN MILLIMETRES



SCHEMATIC



APPROX. WEIGHT
1.7 kg +/- 0.5 kg

Item Number	Title	Quantity
1	SPR-XX-32-NU	1
2	SEAL PLATE ASSY	3
3	PORT BLOCK 1/2 NPT	3
4	SPR-SUBX-00	1
5	(A)S06-PSV	1
6	SPR-SUBX-P16	1

REV	DATE	DRAWN	CHKD	REVISION
1	28.11.18	MJH		P5 OPERATOR RECONFIGURED TO USE P16 OPERATOR AS STANDARD
0	09.10.17	MJH		PRODUCTION ISSUE

NOTES :
1.) O-RING MATERIAL CODE 'X' S = NITRILE
V = VITON
SA = LOW TEMP. NITRILE
2.) ALL DIMENSIONS NOMINAL UNLESS OTHERWISE STATED.

VALVE TYPES/USED ON	
SPR-08-08-P5-32-NU-00-V	
SPR-08-08-P5-32-NU-00-AL	

Bifold FluidPower Limited
Greenside way, Middleton, Manchester, M24 1SW
Telephone (44) 0161 345 4777 Fax (44) 0161 345 4780

PROJECT TITLE: SPR-08-08-P5-32-NU-00-X
PROJECT No.:

DRAWING TITLE: GENERAL ARRANGEMENT
DRAWING No. 0-IN2984
REV. 1

DRAWN: MJH DATE: 28/11/2018
CHECKED: DATE: APPROVED: DATE:

Copyright © 2000 BIFOLD FLUIDPOWER LTD. All Rights Reserved C.A.D. Produced Drawing DO NOT Change By Hand