

**SEGD12B32\_1\_EX2, SEGD24B32\_1\_EX2, SEGD48B32\_1\_EX2, SEGD23B32\_1\_EX2**

Double (main + stand-by) Low Intensity Obstruction Light


**PHOTOMETRIC STANDARD COMPLIANCE**

**ICAO ANNEX 14, VOLUME I  
TYPE B - LOW INTENSITY OBSTACLE  
LIGHT.**

**FAA AC 150/5345-43F;  
TYPE L-810.**
**KEY FEATURES & BENEFITS**

- designed and manufactured in Italy by Clampco Sistemi
- resistance to corrosion
- long life source
- easy way for mounting – plug 'n' play connection
- wide range power supply:  
12,24,48 Vdc  
110-230 Vac
- suitable for signaling:  
Flares  
Chimneys  
Oil & Gas derricks  
Cranes  
Off shore infrastructures

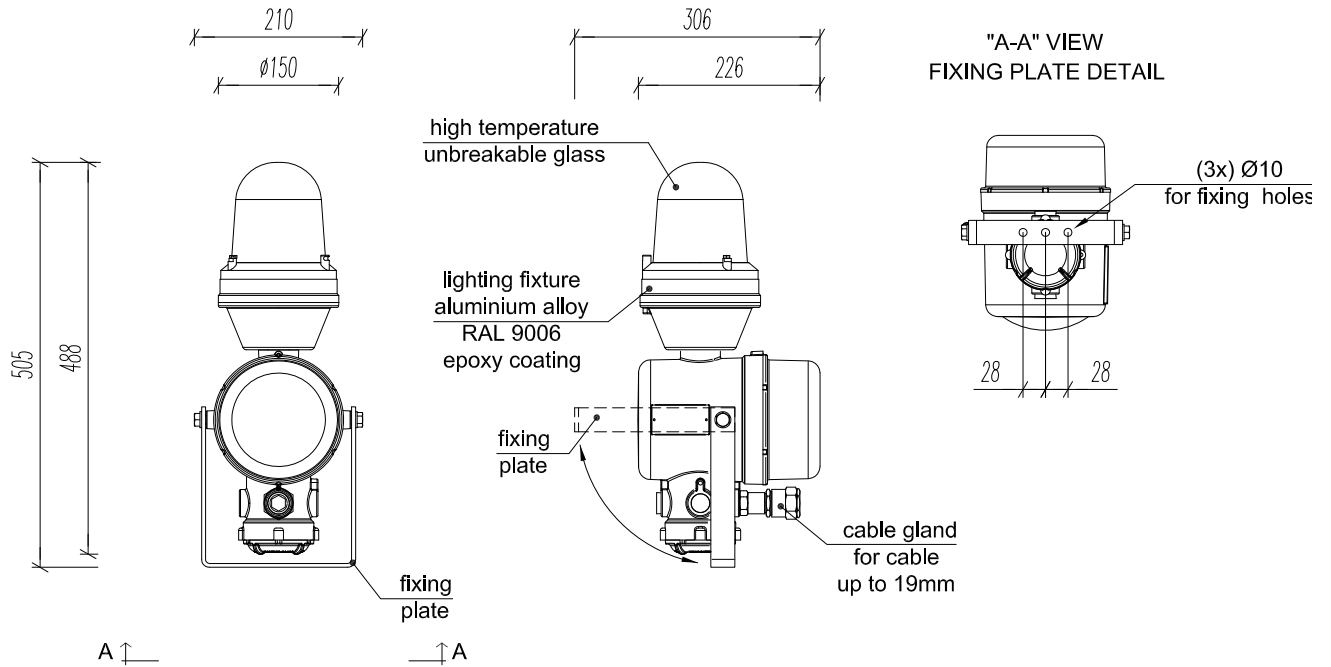
**SPECIFICATIONS**

	<b>SEGD12B32_1_EX3</b>	<b>SEGD24B32_1_EX3</b>	<b>SEGD48B32_1_EX3</b>	<b>SEGD23B32_1_EX3</b>
Order Code	<b>SEGD12B32_1_EX3</b>	<b>SEGD24B32_1_EX3</b>	<b>SEGD48B32_1_EX3</b>	<b>SEGD23B32_1_EX3</b>
Typical use	Night time			
Light source	LED			
Type of beacon	Double (main + stand-by) Steady			
Fault Management	Automatic switchover stand-by lamp in the case of main lamp failure			
Alarm Management	Alarm remotization as dry contact			
Colour	Red according to CIE Chromaticity Boundary			
Light Intensity	>32.5 cd			
Horizontal coverage	360°			
Input voltage	12 Vac	24 Vac	48 Vac	110 – 230 Vac
Power consumption	10 W + 10 W	10 W + 10 W	10 W + 10 W	11 W + 11 W
Average life	100 000 hours			
Temperature range	from -20 °C to +60 °C			
Protection degree	IP66			
Material of the body	Die cast aluminum alloy copper free			
Material of the transparent cap	Glass			
Connection	Barrier cable gland M20 nickel plated suitable for cable up to 19 mm			
Weight	7 Kg			
Mounting Hardware	Stainless steel anchor basement			
Fixing	3x Stainless steel Hexagon head screws M10x40			
Explosion proof protection	II 2G Exd IIC T4 Gb			
ATEX	INERIS 01 ATEX 0056X and INERIS 08 ATEX 0037X			
IECEx	INE 13.0074X and INE 13.0027X			

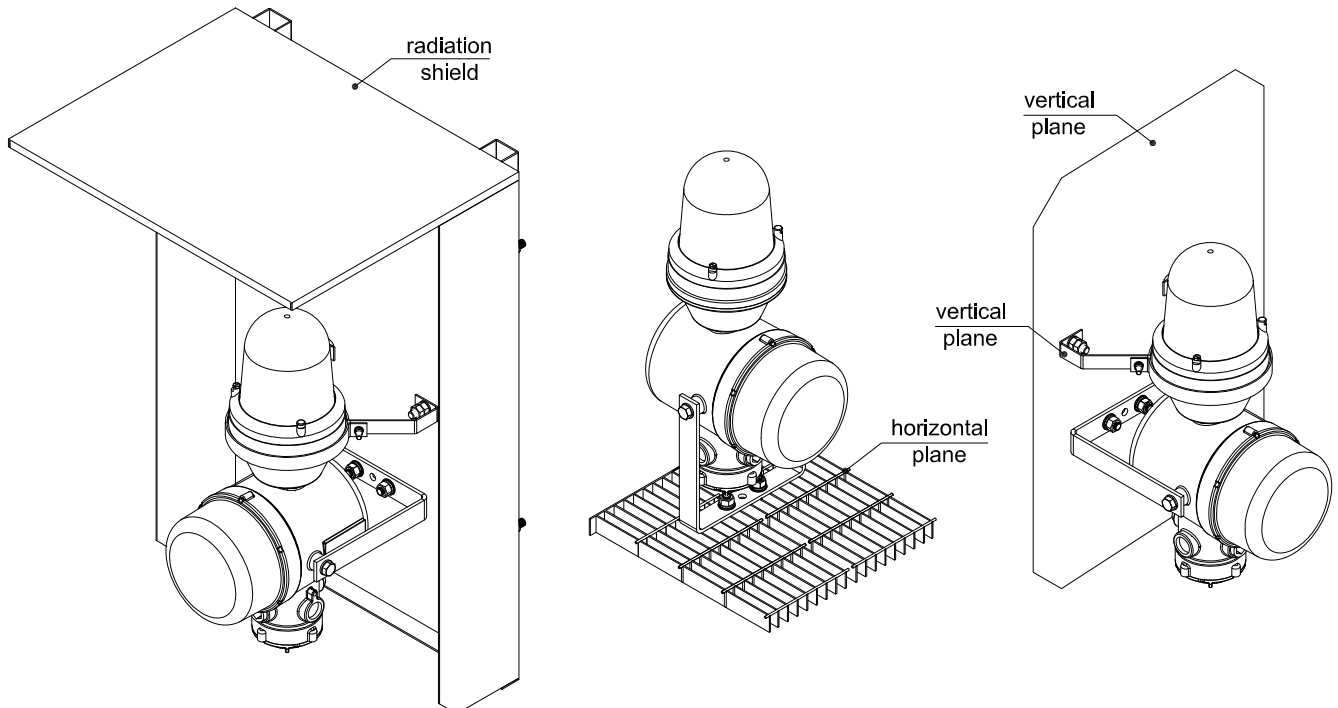
**OPTIONS – SPARE PART**

SPL023B32_15	LED bulb for double (main + stand-by) low intensity obstruction light
SPLS23B32	LED driver for double (main + stand-by) low intensity obstruction light

TECHNICAL DRAWINGS



FIXING EXAMPLES



Clampco Sistemi reserves the right to make changes at any time in order to supply the best product possible.