

DIMENSIONAL DATA

OVERALL DIMENSIONS AND PANEL CUTOUT

The dimensions are expressed in millimetres and inches (fifth-scale drawing).

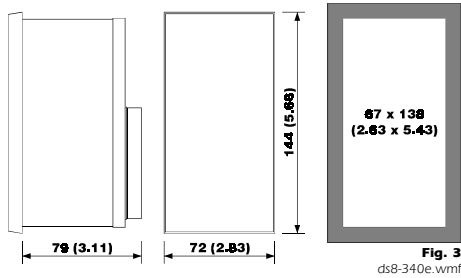


Fig. 3
ds8-340e.wmf

INSTALLATION

WITH THE FIXING SYSTEM SUGGESTED BY THE BUILDER

Panel mounting, with the equipped screw brackets (fifth-scale drawing).

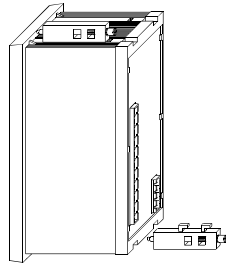


Fig. 4
ms8-356.wmf

ELECTRICAL CONNECTION

CONNECTIONS TO DERIVE

Instance of typical application.

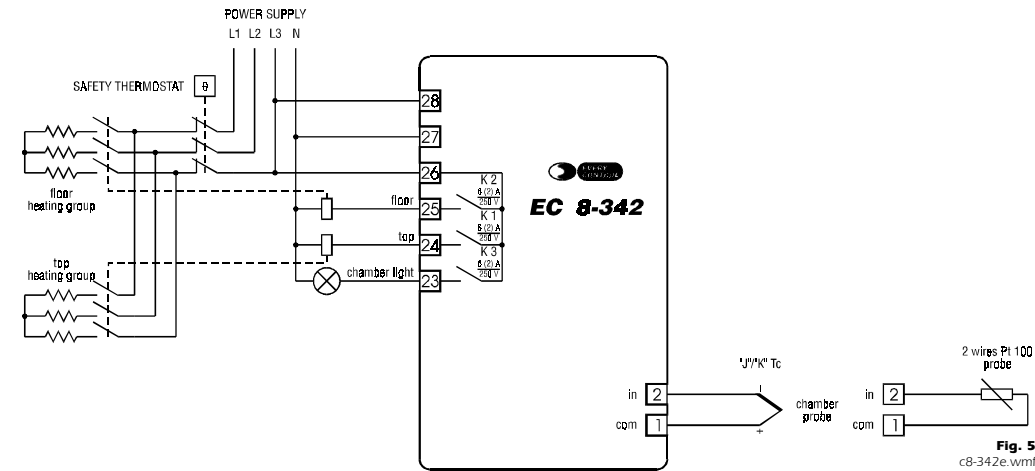


Fig. 5
c8-342e.wmf

BUILDER DATA

EVERY CONTROL S.r.l.

Via Mezzaterra 6, 32036 Sedico Belluno ITALY

Phone 0039/0437852468 (a.r.) Fax 0039/043783648

Internet addresses

e-mail: info@everycontrol.it

http://www.everycontrol.it

TO BE CAREFUL

This publication exclusively belongs to EVERY CONTROL and shall not be reproduced and distributed if not expressly authorized by the same EVERY CONTROL.

EVERY CONTROL does not assume any responsibility in order to the characteristics, to the technical data and to the possible mistakes related herein or deriving from the use of the same.

EVERY CONTROL can not be considered responsible for damages caused from the inobservance of the additional informations.

EVERY CONTROL reserves the right to make any modification without prior notice and at any time without prejudice the basic functioning and safety characteristics.

EC 8-342

ON-OFF digital controller for electrical pizza ovens with separated top and floor power regulation and programmable "cooking timer"

Operating instructions

Release 2/00 of November the tenth 2000

Code EC 8-342 DOC E002

File 8342e.p65

IMPORTANT:

The use of this new instrument is easy; but for safety reasons, it is important read these instructions carefully before the installation or before the use and follow all additional informations.

It is very important keep these instructions with the instrument for future consultations.



Fig. 1
f8-342.wmf

GENERAL INFORMATIONS

WHAT IS THE USE

EC 8-342 is an ON-OFF digital controller studied for electrical pizza ovens management which basic characteristics are the separated top and floor power regulation, the programmable "cooking timer" and the "ON STAND-BY" key; through the keys present on the instrument frontal panel it is possible to operate on other functions as the chamber light control and on the "quick heating" function (it is studied to reach the working setpoint in the shortest time excluding the power choking).

In factory the instrument gets preset to accept at the measure input "J''/K'' thermocouples or 2 wires Pt 100 probes.

EC 8-342 is available in the 72 x 144 mm (2.83 x 5.66 in.) case and it is studied for panel mounting with the equipped screw brackets.

GETTING STARTED

INSTALLATION

EC 8-342 was studied for panel mounting, panel cutout 67 x 138 mm (2.63 x 5.43 in.), with the equipped screw brackets (the overall dimensions and the panel cutout are related in Fig. 3, the fixing system suggested by the builder is related in Fig. 4).

ADDITIONAL INFORMATIONS

- the panel thickness must be included from 1 to 5 mm (0.04 to 0.19 in.)
- verify if the using conditions (ambient temperature, humidity, etc.) are within the limits indicated by the builder (see the chapter TECHNICAL DATA)
- install the instrument in a location with a suitable ventilation, to avoid the internal overheating of the instrument
- do not install the instrument near surfaces that can obstruct the air-grating (carpets, covers, etc.), heating sources (radiators, hot air ducts, etc.), locations subject to direct sunlight, rain, humidity, excessive dust, mechanical vibrations or bumps, devices with strong magnetos (microwave ovens, big speakers, etc.)
- according with the safety norms, the protection against possible contacts with electrical parts and parts protected with functional insulation only must be ensured through a correct installation procedure of the instrument; all parts that ensure the protection must be fixed so that they can not be removed if not with a tool.

ELECTRICAL CONNECTION

EC 8-342 is provided with two extractable screw terminal blocks for cables up to 2.5 mm² (0.38in.²), for the connection to the power supply, measure input and outputs) located on the instrument back panel (the connections to derive are related in Fig. 5 and they are checkable on the polyester label stuck on the instrument case).

ADDITIONAL INFORMATIONS

- if the instrument is brought from a cold to a warm location, the humidity may condense inside the instrument; wait about an hour before supply the instrument
- verify if the operating power supply voltage, electrical frequency and power of the instrument correspond to the local power supply (see the chapter TECHNICAL DATA)
- do not supply more instruments with the same transformer
- if the instrument is installed on a vehicle, its power supply must be derived directly from the battery of the vehicle
- give the instrument a protection able to limit the current absorbed in case of failure
- the instrument remains connected to the local power supply as long as the terminals 27 and 28 are derived to the local power supply, even if the instrument is apparently turned off
- if the instrument is supplied from low voltage use low voltage loads
- give the probe a protection able to insulate it against possible contacts with metal parts or use insulated probes
- give the outputs a protection able to protect them against short circuit and overload
- do not try to repair the instrument; for the repairs apply to highly qualified staff
- if you have any questions or problems concerning the instrument please consult

Every Control (see the chapter BUILDER DATA).

USE

PRELIMINARY INFORMATIONS

After derived the connections related in Fig. 5, the instrument repropose the last settings stored.

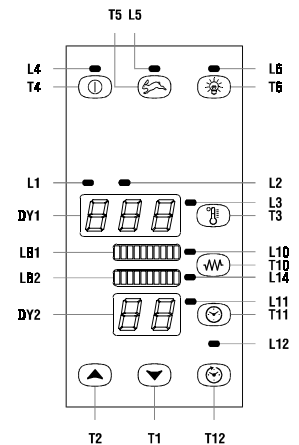


Fig. 2
iu8342.wmf

Keeping pushed for two seconds at least the key T4 the instrument turning ON (status ON) or turning OFF (status STAND-BY), except during the setting procedures; the LED L4 is associated to the instrument status, it is turned ON during the status STAND-BY and it is turned OFF during the status ON.

During the status STAND-BY the displays and the LED bars are turned OFF and all outputs are forced to the status OFF.

During the status ON, in the course of the normal functioning the display DY1 displays the temperature read by the chamber probe, the display DY2 displays the "cooking timer" function length, the LED bar LB1 displays the percentage of power given to the output K 1 and the LED bar LB2 displays the percentage of power given to the output K 2; if an alarm should be active the display DY1 displays the alarm code flashing and the buzzer utters an intermittent beep as long as the cause that has given it does not disappear (see the chapter SIGNALS AND ALARMS); pressure on the key T1 during an alarm permits to silence the buzzer.

EC 8-342 is provided with one working setpoint and with some configuration parameters that get stored in a non volatile memory and that permit to set the instrument according with one's requirements (see the chapter CONFIGURABILITY).

The output K 1 is associated to the top and to the working setpoint, it gets activated with cyclical modality as long as the temperature read by the chamber probe reaches the working setpoint and when it falls below the working setpoint of the hysteresis value (differential) the output gets reactivated with cyclical modality.

The output K 2 is associated to the floor and to the working setpoint, it gets activated with cyclical modality as long as the temperature read by the chamber probe reaches the working setpoint and when it falls below the working setpoint of the hysteresis value (differential) the output gets reactivated with cyclical modality.

During the cyclical modality, in the course of the cycle time for the outputs activation, the outputs K 1 and K 2 remain activated continuously but as much as possible alternately for a time proportional to the percentage of power given to the outputs K 1 and K 2.

The output K 3 is associated to the chamber light: pushing and releasing the key **T6** the output gets activated or deactivated, except during the setting procedures; the LED **L6** is associated to the output status, it is turned ON when the output is activated and it is turned OFF when the output is deactivated.

COOKING TIMER

To modify the "cooking timer" function length value push and release the key **T11** during the status ON and push and release over and over the key **T1** or **T2** as long as the display **DY2** displays the desired value (keeping pushed the key **T1** or **T2** the value gets decreased or increased more quickly); after the modification push and release the key **T11** (to the release of the key **T11** the instrument automatically turns out from the "cooking timer" function length setting procedure); for the four seconds following the first release of the key **T11** or following the release of the key **T1** or **T2** the display **DY2** displays the set value and the LED **L11** flashes to indicate that a "cooking timer" function length setting procedure is running (passed four seconds from the first release of the key **T11** or from the release of the key **T1** or **T2** without operated with the keys the instrument automatically turns out from the "cooking timer" function length setting procedure).

Pushing and releasing the key **T12** during the status ON the "cooking timer" function gets activated or deactivated.

During this function the display **DY2** displays the decrease of the "cooking timer" function length and the LED **L12** flashes to indicate that the count of the time is running.

Passed the "cooking timer" function length the cooking timer signal gets activated.

ADDITIONAL INFORMATIONS

- *for the whole period of a corrupted memory data alarm the "cooking timer" function activation is refused*
- *the "cooking timer" function length value gets stored in a non volatile memory even if a lack of power supply happens*
- *if a lack of power supply happens during the count of the "cooking timer" function length, when the power supply recovers the count gets reproposed from the beginning but the function gets not activated.*

QUICK HEATING

Keeping pushed for two seconds at least the key **T5** during the status ON the "quick heating" function gets activated or deactivated, except during the setting procedures and except what established with the parameters of the family c; the LED **L5** is associated to the "quick heating" function, during the status ON it is turned ON when the function is running and it is turned OFF when the function is not running.

During this function the outputs K 1 and K 2 remain activated continuously and the LED bars **LB1** and **LB2** flash alternatively.

When the temperature read by the chamber probe rises above the value obtained adding algebraically the "quick heating" function stopping set to the working setpoint the function gets stopped and the power choking gets reset.

The "quick heating" function permits to reach the working setpoint in the shortest time excluding the power choking.

ADDITIONAL INFORMATIONS

- *for the whole period of a corrupted memory data alarm the "quick heating" function activation is refused.*

WORKING SETPOINT SETTING (WORKING TEMPERATURE)

To modify the working setpoint value push and release the key **T3** during the status ON (to the release of the key **T3** the display **DY1** displays the actual value) and push and release over and over the key **T1** or **T2** as long as the display **DY1** displays the desired value (keeping pushed the key **T1** or **T2** the value gets decreased or increased more quickly); after the modification push and release the key **T3** (to the release of the key **T3** the display **DY1** displays the temperature read by the chamber probe again); for the four seconds following the first release of the key **T3** or following the release of the key **T1** or **T2** the display **DY1** displays the set value and the LED **L3** flashes to indicate that a working setpoint setting procedure is running (passed four seconds from the first release of the key **T3** or from the release of the key **T1** or **T2** without operated with the keys the instrument automatically turns out from the working setpoint setting procedure).

ADDITIONAL INFORMATIONS

- *for the whole period of a corrupted memory data alarm the access to the working setpoint setting procedure is refused*
- *the working setpoint is programmable within the limits established with the parameters rA1 and rA2*
- *the working setpoint value gets stored in a non volatile memory even if a lack of power supply happens.*

PERCENTAGE OF POWER GIVEN TO THE OUTPUTS K 1 AND K 2 SETTING

To modify the percentage of power given to the output K 1 value push and release the key **T10** during the status ON and push and release over and over the key **T1** or **T2** as long as the LED bar **LB1** displays the desired value; for the four seconds following the release of the key **T10** or following the release of the key **T1** or **T2** the LED bar **LB1** displays the set value flashing and the LED **L10** flashes to indicate that a percentage of power given to the output K 1 setting procedure is running (passed four seconds from the release of the key **T10** or from the release of the key **T1** or **T2** without operated with the keys the instrument automatically turns out from the percentage of power given to the outputs K 1 and K 2 setting procedure).

To modify the percentage of power given to the output K 2 value push and release the key **T10** during the flashing of the LED **L10** and push and release over and over the key **T1** or **T2** as long as the LED bar **LB2** displays the desired value; for the four seconds following the release of the key **T10** or following the release of the key **T1** or **T2** the LED bar **LB2** displays the set value flashing and the LED **L14** flashes to indicate that a percentage of power given to the output K 2 setting procedure is running (passed four seconds from the release of the key **T10** or from the release of the key **T1** or **T2** without operated with the keys the instrument automatically turns out from the percentage of power given to the outputs K 1 and K 2 setting procedure).

ADDITIONAL INFORMATIONS

- *for the whole period of a corrupted memory data alarm the access to the percentage of power given to the outputs K 1 and K 2 setting procedure is refused*
- *the percentage of power given to the outputs K 1 and K 2 value gets stored in a non volatile memory even if a lack of power supply happens.*

CONFIGURATION PARAMETERS SETTING

Configuration parameters are arranged on two levels, to protect the most tricky settings against undesirable violations and they are arranged in families that can be recognized through the initial letter of the label.

To gain access to the first level keep pushed at the same time for four seconds at least the keys **T1** and **T2** during the status ON (passed four seconds the display **DY1** displays the label **PA**).

To select a parameter of the first level push and release over and over the key **T1** or **T2** as long as the display **DY1** displays the label of the desired parameter.

To modify the parameter value keep pushed the key **T3** (the display **DY1** displays the actual value) and at the same time push and release over and over the key **T1** or **T2** as long as the display **DY1** displays the desired value (keeping pushed the key **T1** or **T2** the value gets decreased or increased more quickly); after the modification release the key **T3** last (to the release of the key **T3** the display **DY1** displays the label of the parameter again).

To gain access to the second level enter inside the first level and select the label **PA**.

Keep pushed the key **T3** (the display **DY1** displays the actual value) and at the same time push and release over and over the key **T1** or **T2** as long as the display **DY1** displays -19 (keeping pushed the key **T1** or **T2** the value gets decreased or increased more quickly); after the modification release the key **T3** last (to the release of the key **T3** the display **DY1** displays the label **PA** again); keep pushed at the same time for four seconds at least the keys **T1** and **T2** (passed four seconds the display **DY1** displays the first parameter of the second level).

To select a parameter of the second level push and release over and over the key **T1** or **T2** as long as the display **DY1** displays the label of the desired parameter.

To modify the parameter value keep pushed the key **T3** (the display **DY1** displays the actual value) and at the same time push and release over and over the key **T1** or **T2** as long as the display **DY1** displays the desired value (keeping pushed the key **T1** or **T2** the value gets decreased or increased more quickly); after the modification release the key **T3** last (to the release of the key **T3** the display **DY1** displays the label of the parameter again).

To turn out from the configuration parameters setting procedure keep pushed at the same time for four seconds at least the keys **T1** and **T2** or do not operate with the keys for fifty seconds at least (time-out exit).

ADDITIONAL INFORMATIONS

- *for the whole period of a corrupted memory data alarm the access to the configuration parameters setting procedure is refused*
- *the modification of a parameter value which unit of measure is the hour or the minute or the second has not immediate effect; to obtain this effect it must not be executed during the course of the value*
- *the configuration parameters values get stored in a non volatile memory even if a lack of power supply happens.*

CONFIGURABILITY

COOKING TIMER

LABEL	MIN.	MAX.	U.M.	ST.	COOKING TIMER
	1	99	min.	5	"cooking timer" function length

It establishes the "cooking timer" function length.

WORKING SETPOINT

LABEL	MIN.	MAX.	U.M.	ST.	WORKING SETPOINT
	rA1	rA2	(*)	0	working setpoint

It establishes the temperature associated to the outputs K 1 and K 2.

PERCENTAGE OF POWER GIVEN TO THE OUTPUTS K 1 AND K 2

LABEL	MIN.	MAX.	U.M.	ST.	PERCENTAGE OF POWER GIVEN TO THE OUTPUTS K 1 AND K 2
	0	100	%	100	percentage of power given to the output K 1

It establishes the percentage of power given to the output K 1.

LABEL	MIN.	MAX.	U.M.	ST.	PERCENTAGE OF POWER GIVEN TO THE OUTPUT K 2
	0	100	%	100	percentage of power given to the output K 2

It establishes the percentage of power given to the output K 2.

CONFIGURATION PARAMETERS

LABEL	MIN.	MAX.	U.M.	ST.	PASSWORD
PA	99	100	---	0	password (\$)

It is the password that permits to gain access to the second level.

LABEL	MIN.	MAX.	U.M.	ST.	MEASURE INPUT
/0	10	21	---	(**)	kind of probe

It establishes the kind of probe that the instrument must recognize to its measure input, as indicated:
10 = "J" thermocouple 11 = "K" thermocouple
21 = 2 wires Pt 100 probe.

/1	-10	+10	(*)	0	calibration (\$)
It establishes a threshold to add algebraically to the signal coming from the measure input (for instance to correct the signal).					

/2	0	6	---	3	digital filter
It establishes a time constant to apply to the signal coming from the measure input, as indicated:					

0 =	0 sec.	1 =	0.4 sec.
2 =	1.2 sec.	3 =	3.0 sec.
4 =	8.0 sec.	5 =	19.8 sec.
6 =	48.0 sec.		

/4	0	1	---	0	leading zeroes displaying
It establishes if to display the leading zeroes, as indicated:					
0 =	the leading zeroes get not displayed				
1 =	the leading zeroes get displayed.				

/8	0	1	---	1	unit of measure
It establishes the unit of measure with which the temperature gets displayed, as indicated:					

0 = the unit of measure is the Fahrenheit degree
 1 = the unit of measure is the Celsius degree.

LABEL MIN. MAX. U.M. ST. ON-OFF TEMPERATURE REGULATOR ASSOCIATED TO THE WORKING SETPOINT AND TO THE OUTPUTS K 1 AND K 2

rA0 -15 -1 (*) -2 hysteresis (differential) (§)
 It establishes the hysteresis (differential) relative to the working setpoint.

rA1 0 +999 (*) 0 minimum working setpoint programmable
 It establishes the minimum working setpoint programmable; the instrument automatically verifies if the value established with the parameter rA1 is below the maximum working setpoint programmable established with the parameter rA2.

rA2 0 +999 (*) () maximum working setpoint programmable**
 It establishes the maximum working setpoint programmable; the instrument automatically verifies if the value established with the parameter rA2 is above the minimum working setpoint programmable established with the parameter rA1.

LABEL MIN. MAX. U.M. ST. TEMPERATURE ALARM REGULATOR ASSOCIATED TO THE FIRST TEMPERATURE ALARM

AA0 +1 +99 (*) +2 hysteresis (differential)
 It establishes the hysteresis (differential) relative to the parameter AA1.

AA1 -99 +999 (*) 0 alarm setpoint
 It establishes the temperature to which the temperature alarm gets activated according with the modality established with the parameter AA4.

AA3 0 999 min. 0 disabling time to the alarm activation from the instrument start
 It establishes the time that disables the temperature alarm activation from the moment of the instrument start.

AA4 1 7 --- 1 kind of alarm

It establishes the kind of temperature alarm that the instrument must manage, as indicated:
 1 = the temperature alarm never gets activated
 2 = absolute lower temperature alarm
 3 = absolute upper temperature alarm
 4 = lower temperature alarm relative to the working setpoint
 5 = upper temperature alarm relative to the working setpoint
 6 = lower temperature alarm relative to the working setpoint with automatic recomputation and reenabling
 7 = upper temperature alarm relative to the working setpoint with automatic recomputation and reenabling.

LABEL MIN. MAX. U.M. ST. TEMPERATURE ALARM REGULATOR ASSOCIATED TO THE SECOND TEMPERATURE ALARM

Ab0 +1 +99 (*) +2 hysteresis (differential)
 It has the same significance of the parameter AA0.

Ab1 -99 +999 (*) 0 alarm setpoint
 It has the same significance of the parameter AA1.

Ab3 0 999 min. 0 disabling time to the alarm activation from the instrument start
 It has the same significance of the parameter AA3.

Ab4 1 7 --- 1 kind of alarm
 It has the same significance of the parameter AA4.

LABEL MIN. MAX. U.M. ST. POWER MANAGER ASSOCIATED TO THE OUTPUTS K 1 AND K 2

c0 0 2 --- 0 kind of power setting
 It establishes the kind of power setting that the instrument must manage, as indicated:
 0 = inactive
 1 = the power given to one output modification gives the automatic dispensing of the maximum power to the other one and vice versa
 2 = the power given to one output modification gives an automatic adjustment of the power given to the other one such as to guarantee that the addition of the power given even is equivalent to 50 % (if the heating groups are equivalent) of the total connected power.

c1 1 999 sec. 80 cycle time for the outputs activation
 It establishes the cycle time for the outputs activation due to the contribution of the percentage of power given to the outputs established with the suitable keys.

c2 0 3 --- 1 modality that enables the "quick heating" function activation

It establishes the modality that enables the "quick heating" function activation, as indicated:
 0 = the "quick heating" function can not be activated
 1 = the "quick heating" function can be activated and deactivated through pressure of the suitable key
 2 = the instrument automatically activates a "quick heating" function at the moment of the instrument start and it can be deactivated through pressure of the suitable key
 3 = the instrument automatically activates a "quick heating" function at the moment of the instrument start and it can be activated and deactivated through pressure of the suitable key.

The "quick heating" function permits to reach the working setpoint in the shortest time excluding the power choking.

c3 -99 0 (*) -10 "quick heating" function stopping set relative to the working setpoint
 It establishes a threshold to add algebraically to the working setpoint; the value so obtained establishes the temperature above which a "quick heating" function gets stopped when the power choking gets reset.

c4 -1 120 sec. 5 buzzer activation length at the "cooking timer" function end
 It establishes the buzzer activation length at the "cooking timer" function end.

If the parameter c4 has value -1 the activation persists as long as it gets not manually silenced.

LABEL MIN. MAX. U.M. ST. CONNECTION IN A SERIAL NETWORK WITH EVCOBUS PROTOCOL COMMUNICATION

L1 1 15 --- 1 instrument address

It establishes the address to which the instrument (slave) answers when it is connected to a serial network with EVCOBUS protocol communication managed from a master (for instance a Personal Computer).

L2 0 7 --- 0 instrument group

It establishes the group to which the instrument (slave) answers when it is connected to a serial network with EVCOBUS protocol communication managed from a master (for instance a Personal Computer).

L3 7 255 sec. 7 time-out link

It establishes for which time interval the instrument must store a connection to a serial network with EVCOBUS protocol communication from the moment in which an interruption of the connection happens.

L4 0 3 --- 1 baud rate

It establishes the speed with which the data get transmitted in a serial network with EVCOBUS protocol communication, as indicated:

0 = 1,200 baud
 1 = 2,400 baud
 2 = 4,800 baud
 3 = 9,600 baud.

ADDITIONAL INFORMATIONS

- the symbol (*) indicates that the unit of measure depends from the parameter /B
- the symbol (§) indicates that the parameter is of the first level
- the symbol (**) indicates that the value depends from the measure input presetting requested.

SIGNALS AND ALARMS

SIGNALS

If the LED **L1** is turned ON it means that the unit of measure of the quantity displayed on the display **DY1** is the Celsius degree.

If the LED **L2** is turned ON it means that the unit of measure of the quantity displayed on the display **DY1** is the Fahrenheit degree.

If the LED **L3** is turned ON it means that the temperature read by the chamber probe is below the working setpoint.

If the LED **L4** is turned ON it means that the instrument is in the status STAND-BY.

If the LED **L5** is turned ON it means that a "quick heating" function is running.

If the LED **L6** is turned ON it means that the output K 3 is activated.

If the LED **L10** is turned ON it means that the output K 1 is activated.

If the LED **L11** is turned ON it means that the unit of measure of the quantity displayed on the display **DY2** is the minute.

If the LED **L14** is turned ON it means that the output K 2 is activated.

If the LED **L12** flashes it means that a "cooking timer" function is running.

If the LED bars **LB1** and **LB3** flash alternately it means that a "quick heating" function is running.

If the display **DY2** displays the indication "0" flashing, the buzzer utters an intermittent beep for some seconds and the LED **L12** flashes (**cooking timer**) it means that a "cooking timer" function ended.

ALARMS

If the display **DY1** displays the indication "E2" flashing and the buzzer utters an intermittent beep (**corrupted memory data alarm**) it means that there is a corruption of the configuration data in the memory (turn OFF and turn ON again the instrument; if to the turning ON again the alarm does not disappear the instrument must be replaced); during this alarm a "cooking timer" and "quick heating" function activation is refused, the access to the setting procedures is refused and all outputs get forced to the status OFF.

If the display **DY1** displays the indication "E0" flashing and the buzzer utters an intermittent beep (**chamber probe failure alarm**) it means that the kind of connected chamber probe is not proper (see the parameter /O), the chamber probe is faulty (verify the chamber probe integrity), there is a mistake in the instrument-chamber probe connection (verify the instrument-chamber probe connection integrity), the temperature read by the chamber probe is outside the limits permitted by the chamber probe in use (verify that the temperature near the chamber probe be inside the limits permitted by the chamber probe); during this alarm the outputs K 1 and K 2 get forced to the status OFF.

If the display **DY1** displays the indication "E0C" flashing and the buzzer utters an intermittent beep (**cold junction failure alarm**) it means that there is a mistake in the cold junction adjustment circuit (the instrument must be replaced); during this alarm the outputs K 1 and K 2 get forced to the status OFF.

If the display **DY1** displays the indication "AL1" flashing alternated to the temperature read by the chamber probe and the buzzer utters an intermittent beep (**first temperature alarm**) it means that the temperature read by the chamber probe is outside the limit established with the parameter AA1 (see the parameters AA0, AA1 and AA4); inactive.

If the display **DY1** displays the indication "AL2" flashing alternated to the temperature read by the chamber probe and the buzzer utters an intermittent beep (**second temperature alarm**) it means that the temperature read by the chamber probe is outside the limit established with the parameter Ab1 (see the parameters Ab0, Ab1 and Ab4); inactive.

If the display **DY1** displays the indication "999" flashing (**end of scale display**) it means that the temperature read by the chamber probe is outside the working range permitted by the instrument (verify that the temperature near the chamber probe be inside the limits permitted by the instrument); inactive.

ADDITIONAL INFORMATIONS

- the alarm codes are related in order of precedence.

TECHNICAL DATA

TECHNICAL DATA
Case: plastic black (PPD), self-extinguishing.
Size: 72 x 144 x 79 mm (2.83 x 5.66 x 3.11 in.), with terminal blocks.
Installation: panel mounting, panel cutout 67 x 138 mm (2.63 x 5.43

Type of protection:	in.), with the equipped screw brackets. IP 54.
Connections:	extractable screw terminal blocks with pitch 7.5 mm (0.29 in., power supply and outputs) and with pitch 5 mm (0.19 in., measure input) for cables up to 2.5 mm ² (0.38 in. ²).
Ambient temperature:	from 0 to +60 °C (+32 to +140 °F, 10 ... 90 % of not condensing relative humidity).
Power supply:	230 Vac or 115 Vac or 24 Vac or 12-24 Vac/dc or 12 Vac/dc, 50/60 Hz, 4 VA.
Insulation class:	II.
Alarm buzzer:	incorporated.
Measure inputs:	1 configurable, hardware depending, for "J"/"K" thermocouples or 2 wires Pt 100 probes.
Working range:	from -99 to +700 °C (-99 to +999 °F) for "J" thermocouple, from -99 to +999 °C (-99 to +999 °F) for "K" thermocouple, from -99 to +600 °C (-99 to +999 °F) for 2 wires Pt 100 probes.
Setting range:	from 0 to +999 °C (0 to +999 °F).
Timer setting range:	from 1 to 99 min.
Resolution:	1 °F with unit of measure in Fahrenheit, 1 °C with unit of measure in Celsius.
Display:	one 3-digit display 12.5 mm (0.49 in.) high red LED display with automatic minus sign, one 2-digit display 12.5 mm (0.49 in.) high red LED display, two 10 red LED diodes bars, output status indicators, programming status indicators, unit of measure of the displayed quantity indicators.
Outputs:	three NO contact 6 (2) A @ 250 Vac relays for top and floor heating groups management and for chamber light control.

HOW TO ORDER

CODING SYSTEM

Instrument name:	EC 8-342.
Desired measure input:	J (for "J"/"K" thermocouples), C (for 2 wires Pt 100 probes).
Desired power supply:	220 (230 Vac), 110 (115 Vac), A24 (24 Vac), 024 (12-24 Vac/dc), 012 (12 Vac/dc).
Options:	custom configuration, SSR outputs, serial port.