

BALL VALVE

AL 25-P0

Description

L25-P0 is a ball valve with flanges. The distance between flanges is according to DIN3202 F4 or F5. The valve has a blow out proof stem and is designed with an antistatic function. The valve is always with a full bore passage. The materials are cast iron, carbon steel and stainless steel. The production range is from DN 15-200 and the top flange is according to ISO-5211. The ratings available on the valve is PN 16 - PN 40. The sizes DN 15-200 PN 16 and DN 15-125 is available with free floating ball. On the larger sizes the valve is trunnion (guided).

Approvals

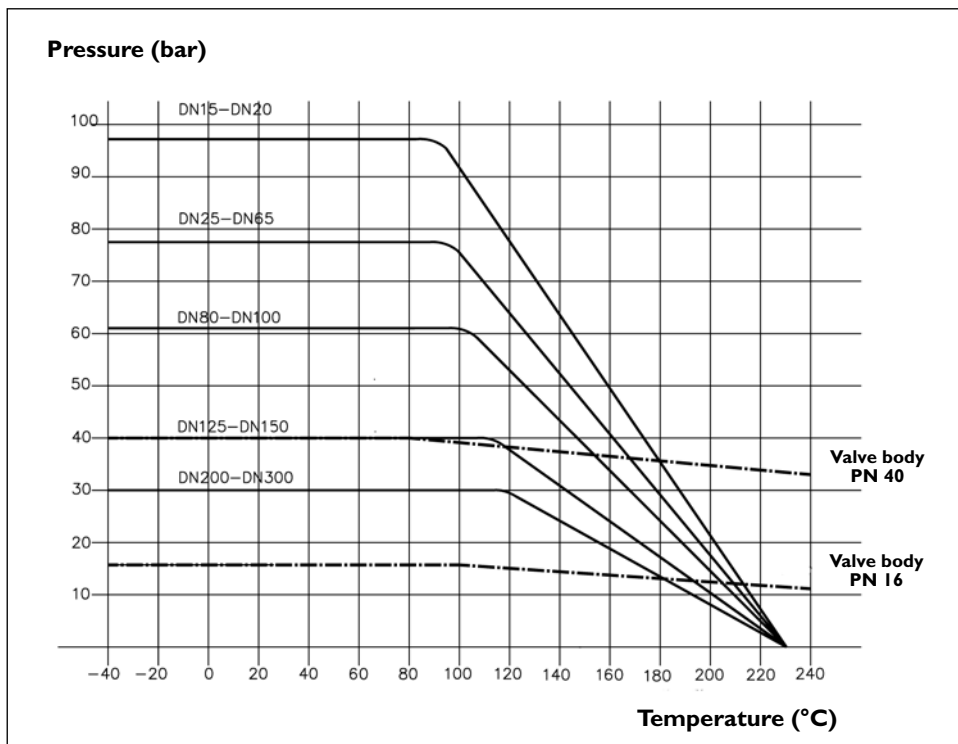
- EC- approval directive 94/23/EC
- ATEX-approval directive 94/9/EC - II 2 G/D
- Looys type approval fire safe
- TUV AR263 design approval
- TUV AGG.268 approval for use on dangerous medias
- TA-Luft approval on the spindle design



Pressure / Temperature

Observe: The diagram shows the traits for both body as well as the seat material. Working pressure and temperature is restricted by both body rating curve and the seating materials curve.

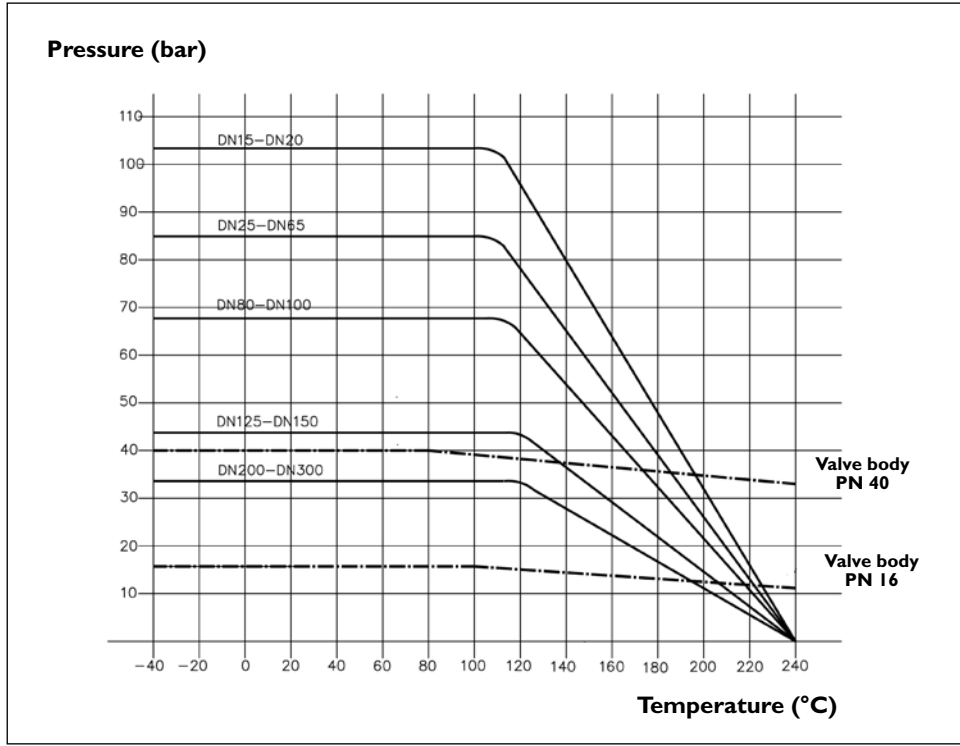
Seat R = PTFE + 25 % glass fiber



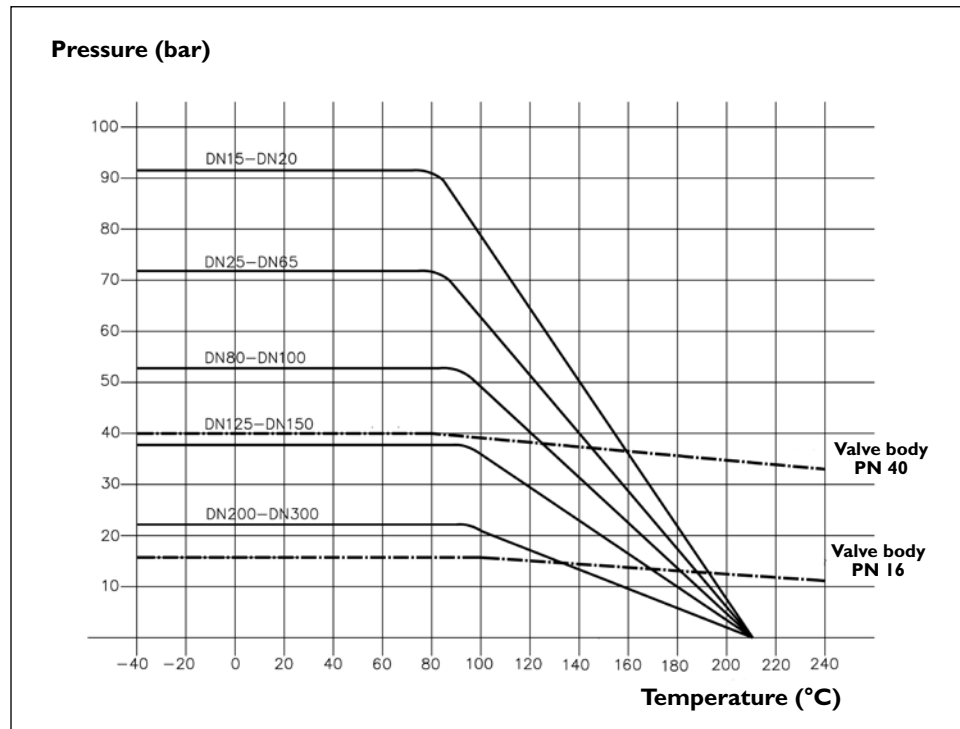
BALL VALVE

AL 25-P0

Seat S = PTFE + 25 % carbon graphite



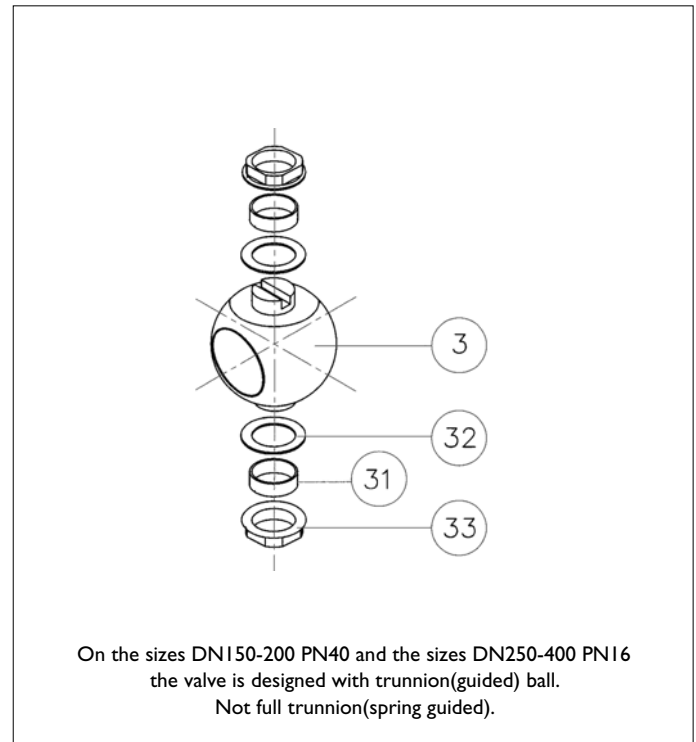
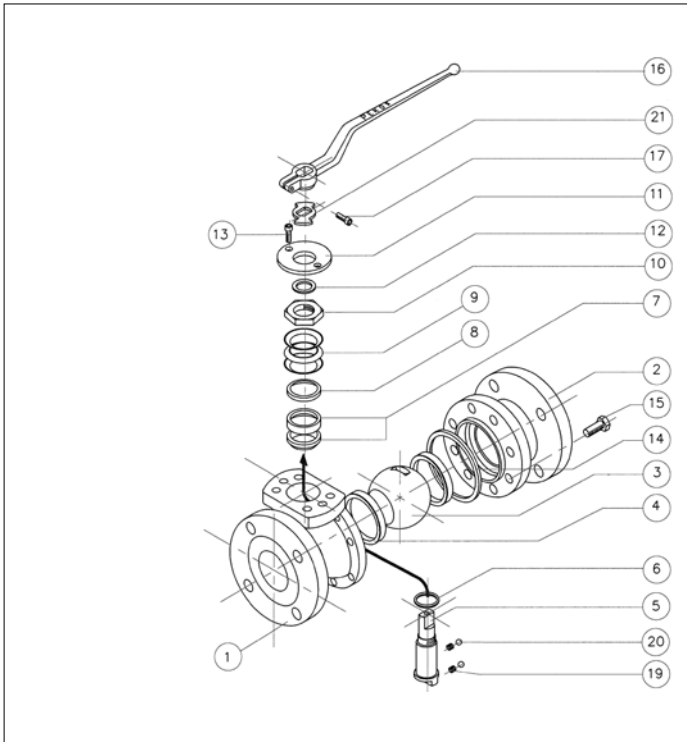
Seat T = PTFE



BALL VALVE

AL 25-P0

Part / Material specification

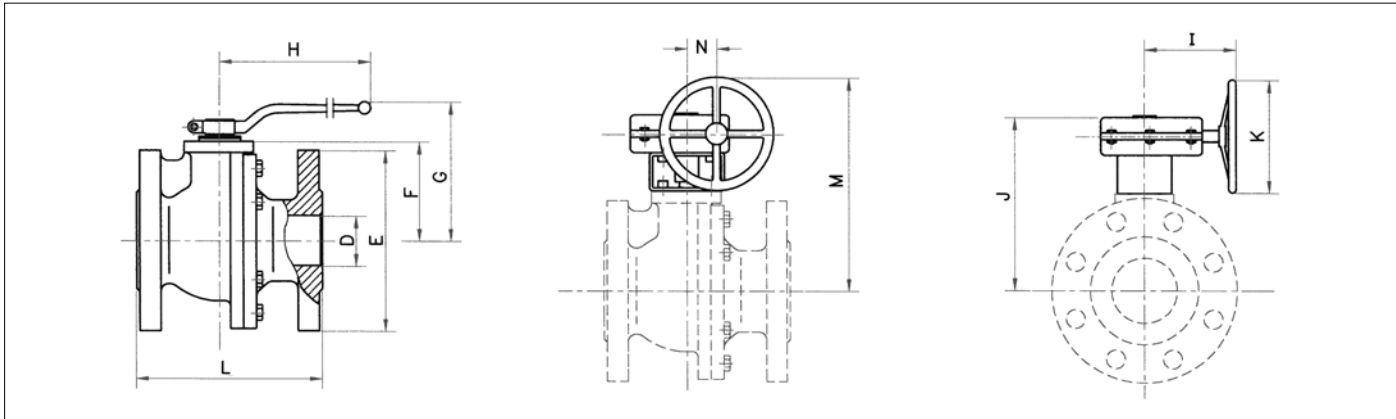


Pos	No of items	Part	Body - Cast iron DN 15-200	Body - Carbon steel DN 15-400	Body - Stainless steel DN 15-400
1	1	Body	Cast iron GG 25	Carbon steel I.0619	Stainless steel I.4408
2	1	Body adapter	Cast iron GG 25	Carbon steel I.0619	Stainless steel I.4408
3	1	Ball	Stainless steel I.4408	Stainless steel I.4408	Stainless steel I.4408
4	2	Seat	PTFE	PTFE	PTFE
5	1	Stem	Stainless steel I.4021	Stainless steel I.4401	Stainless steel I.4401
6	1	Stem washer	PTFE + FG	PTFE + FG	PTFE + FG
7	1	Packing ring	PTFE	PTFE	PTFE
8	1	Gland packing	Stainless steel I.4401	Stainless steel I.4401	Stainless steel I.4401
9	3	Spring washer	Stainless steel I.4310	Stainless steel I.4310	Stainless steel I.4310
10	1	Stem nut	Stainless steel I.4305	Stainless steel I.4305	Stainless steel I.4305
11	1	Cover	Stainless steel I.4408	Carbon steel I.0351	Stainless steel I.4401
12	1	Cover ring	PTFE	PTFE	PTFE
13	2	Cover bolt	8.8	8.8	A4 70
14	1	Body seal	PTFE	Graphite	Graphite
15	-	Body bolt	8.8	A2-70	A4-70
16	1	Handle	Aluminium	Carbon steel I.0351	Carbon steel I.0351
17	1	Handle bolt	8.8	8.8	8.8
19	2	Spring	-	Stainless steel I.4319	Stainless steel I.4319
20	2	Ball	-	Stainless steel I.4401	Stainless steel I.4401
21	1	Stop pin	-	Carbon steel I.0503	Carbon steel I.0503
31	2	Bearing	-	PTFE	PTFE
32	2	Bearing disc	-	PTFE	PTFE
33	2	Support bearing	-	Stainless steel I.4401	Stainless steel I.4401

BALL VALVE

AL 25-P0

Dimensions



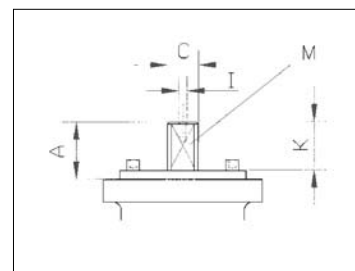
DN	D	L F4*	L F5*	E PN 16	E PN 40	F	G	H	I	J	K	M	N	Weight kg F4**	Weight kg F5**
15	15	115	-	95	95	52	100	185	-	-	-	-	-	3	-
20	20	120	-	105	105	54	102	185	-	-	-	-	-	3	-
25	25	125	-	115	115	60	110	185	-	-	-	-	-	4	-
32	32	130	-	140	140	65	115	185	-	-	-	-	-	6	-
40	40	140	-	150	150	75	129	293	170	203	300	310	60	8 (12)	-
50	50	150	-	165	165	83	137	293	170	210	300	318	60	11 (15)	-
65	65	170	-	185	185	96	150	293	170	223	300	330	60	15 (18)	-
80	80	180	-	200	200	114	187	350	170	261	300	379	60	20 (23)	-
100	100	190	-	220	235	128	201	350	170	286	300	393	60	29 (32)	-
125	125	-	325	250	270	158	247	680	210	328	400	472	70	-	58 (64)
150	150	-	350	285	300	175	264	680	210	345	400	482	70	-	75 (82)
200	200	-	400	340	375	245	334	750	272	435	500	635	100	-	137 (165)
250	250	-	450	405	450	285	-	-	272	475	500	675	100	-	220 (248)
300	300	-	500	460	515	336	-	-	272	526	600	808	100	-	290 (318)
350	350	-	550	520	580	347	-	-	300	595	600	820	138	-	377 (407)
400	400	-	600	525	585	386	-	-	300	634	600	920	138	-	480 (510)

* According to DIN 3202.

** Weight in brackets including gear.

Mounting - ISO 5211

DN	15	20	25	32	40	50	65	80	100	125	150	200	250	300	350	400
ISO 5211	F05	F05	F05	F05	F07	F07	F07	F10	F10	F12	F12	F14	F14	F14	F16	F25
M	8	8	10	10	14	14	14	19	19	26	26	32	32	32	46	55
C	12	12	16	16	20	20	20	25	25	34	34	42	42	42	60	72
A	16	16	22	22	25	25	25	27	27	38	38	43	43	43	63	73
K	13	13	19	19	22	22	22	24	24	35	35	40	40	40	60	70
I	M4	M4	M4	M4	M6	M6	M6	M8	M8	M8	M8	M8	M8	M8	M8	M8



BALL VALVE

AL 25-P0

Actuators - Rating

The information concerning pneumatic actuators is based on a compressed air pressure of 5,5 bar with a safety factor of 30 %. For control, specify an actuator with a margin of safety of at least 50%.

Max. working pressure: AL 77 - 10 bar, AL 79 - 8 bar. Ambiente temperature range -20°C - + 80°C. For technical information concerning actuators, solenoid valves, end position indication, positioners, etc, see separate leaflets.

PN 16 (för PN 40, please contact Axel Larsson)

Ball valve PN 16		Double acting AL 77-DA		Double acting AL 79-DA		Single acting AL 77-SR			Single acting AL 79-SR		
DN	Nm Opening torque	Typ	Nm	Typ	Nm	Typ	Nm against 90°	Nm against 0°	Typ	Nm against 90°	Nm against 0°
15	10,4	210-DA	34	051-DA	18	210-SR	19	12	101-SR	19	13
20	13	210-DA	34	051-DA	18	220-SR	39	25	201-SR	38	26
25	18,2	210-DA	34	101-DA	32	220-SR	39	25	201-SR	38	26
32	29,9	210-DA	34	101-DA	32	230-SR	72	47	251-SR	57	44
40	40,3	220-DA	70	201-DA	64	230-SR	72	47	251-SR	57	44
50	59,8	220-DA	70	201-DA	64	240-SR	147	96	301-SR	85	60
65	71,5	230-DA	130	251-DA	101	240-SR	147	96	351-SR	138	98
80	110,5	230-DA	130	301-DA	146	250-SR	227	150	401-SR	179	126
100	143	240-DA	270	301-DA	146	250-SR	227	150	451-SR	281	198
125	312	250-DA	410	451-DA	478	260-SR	460	305	551-SR	463	379
150	494	260-DA	840	501-DA	624	270-SR	947	620	601-SR	660	510
200	702	260-DA	840	601-DA	1170	280-SR	1907	1260	651-SR	1101	865
250	1235	270-DA	1733	651-DA	1966	280-SR	1907	1260	701-SR	1544	1309
300	1560	270-DA	1733	651-DA	1966	288-SR	4000	2250	751-SR	2194	1754

För DN 350-400, please contact Axel Larsson.

Kv value

Kv = Waterflow in m³/h at pressure drop 1 bar and temperature 20°C.

DN	15	20	25	32	40	50	65	80	100	125	150	200	250	300	350	400
Kv	18	38	60	105	170	255	480	910	1500	2450	3900	8400	13800	18300	23500	32100

Installation / Maintenance

För installation och maintenance instructions, see separate leaflet.

Order code

Valve type _____ AL 25-P0 - 4 - 50 - TGG - 16

2 = Cast iron
4 = Carbon steel
6 = Stainless steel

DN 15-400 _____

TGG = Seat: PTFE / Packing box: Graphite / Primary seating: Graphite
TTT = Seat: PTFE / Packing box: PTFE / Primary seating: PTFE
(Other material on request)

PN 16 _____
PN 40 _____

AXEL LARSSON 

www.axel-larsson.se

Head Office Axel Larsson Maskinaffär AB, Truckvägen 12, P.O. Box 805, SE-194 28 Upplands Väsby (Stockholm), Sweden.
Telephone: +46 8 555 247 00 Fax: +46 8 555 247 90 E-mail: info@axel-larsson.se