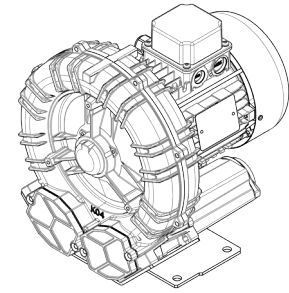


Technical Characteristics	
<ul style="list-style-type: none"> - Aluminum alloy construction - Smooth operation - Maintenance free 	
Electric Motor	
<ul style="list-style-type: none"> - IE3 Wide Range cURus Motors - IP 55 protection rating, class F insulation, suitable for operating with inverter (refer to FPZ) - Thermal Protector (PTO) as standard 	
Options	
<ul style="list-style-type: none"> - Special voltages (IEC 60038) - Surface treatments - Increased seal version 	

~3	[V] (Y / Δ)	[Hz]
IE3	400 / 230	50
	460 / 265	60
Wide Range	345 - 415 / 200 - 240	50
	380 - 480 / 220 - 280	60

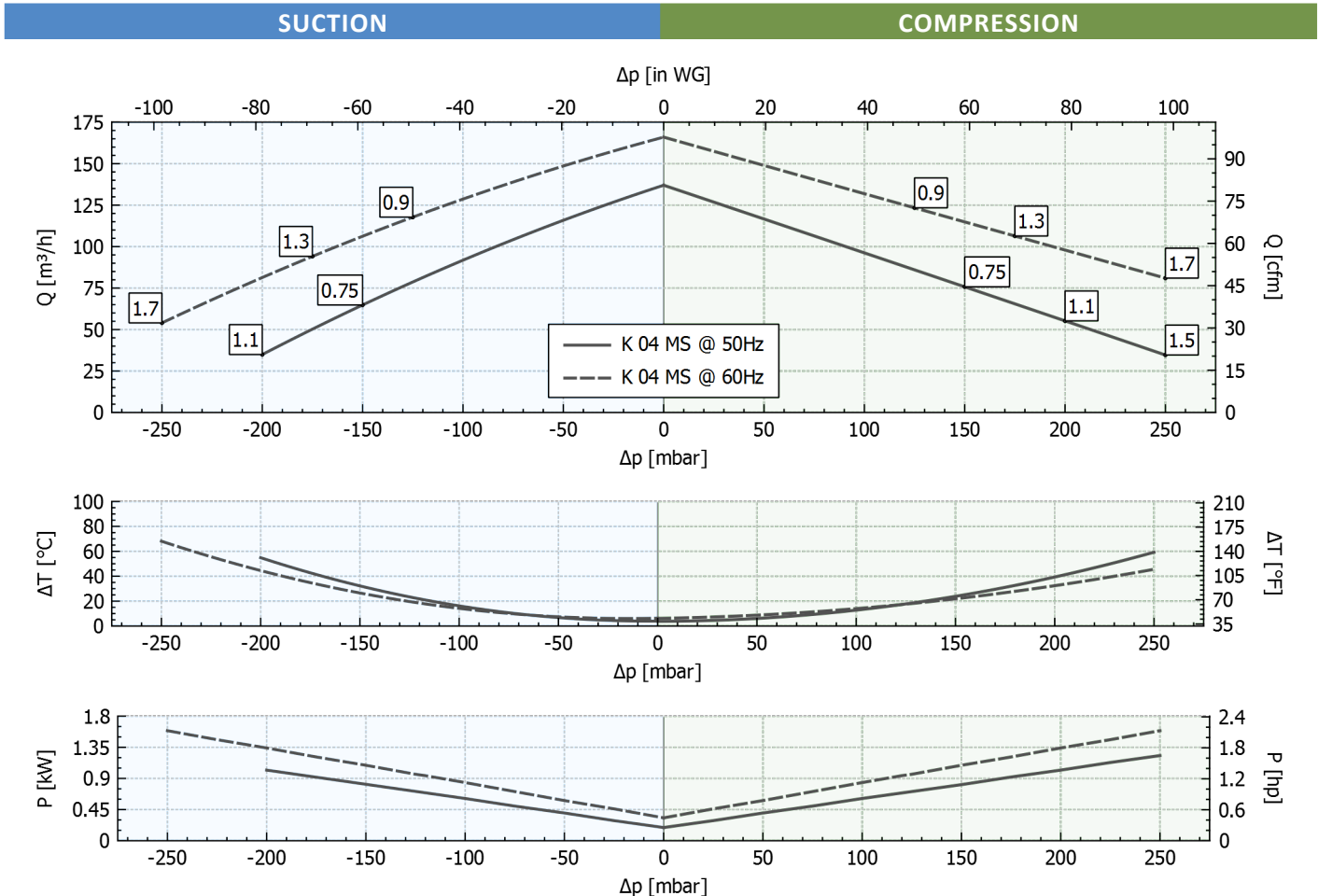
Supply voltage - [Tolerance on the fixed voltage value ± 10%, in range ± 5%.]



Performance Table

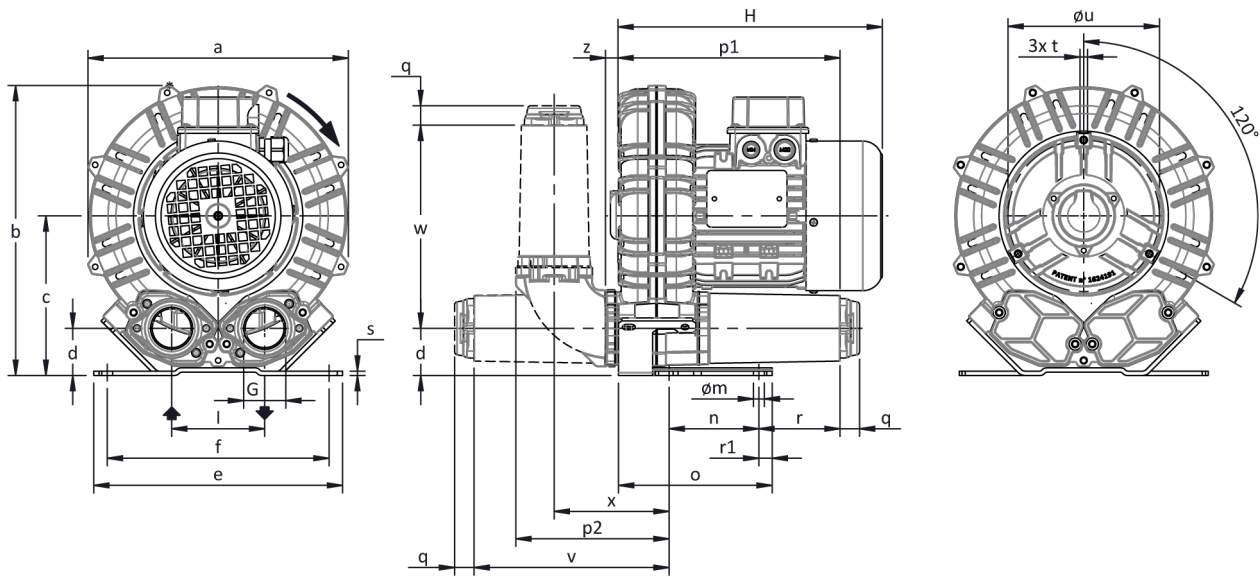
P _n [kW]	Frequency [Hz]	Δp _{max} [mbar]		Q _{max} [m³/h]	Leq ¹ [dB(A)]	Weight [kg]	H ² [mm]	Current Consumption (Y/Δ) [A]		Cosφ [-]	Speed [rpm]
		Suction	Compression					IE3	Range		
0.75	50	150	150	137	61.6	16.5	285	1.67 / 2.89	3.08-2.91 / 1.78-1.68	0.79	2890
0.9	60	125	125	166	63.6	16.5	285	1.69 / 2.93	3.31-2.91 / 1.91-1.68	0.82	3465
1.1	50	200	200	137	61.6	18.2	285	2.33 / 4.04	2.56-2.32 / 4.43-4.02	0.82	2880
1.3	60	175	175	166	63.6	18.2	285	2.32 / 4.02	2.69-2.30 / 4.66-3.98	0.84	3475
1.5	50	-	250	137	61.6	21.5	310	3.20 / 5.54	3.43-3.24 / 5.94-5.61	0.80	2905
1.7	60	250	250	166	63.6	21.5	310	3.07 / 5.32	3.49-3.07 / 6.04-5.32	0.81	3505

1. Noise level measured at a distance of 1 m with ducted intake and delivery, in accordance with Standard ISO 3744.
2. See figure "dimensions" at following page.



Tolerance on indicated values ± 10%.
Data subject to change without notice.
Curves referring to air at a temperature of 20 °C and atmospheric pressure of 1013 mbar (abs).

Dimensions



Configuration with a vertical silencer is only available with the CK accessory kit; for all assembly options refer to FPZ.

Dimensions in mm

NOT Binding

a	b	c	d	d1	e	f	G	l	l1	l2	m	n	o	p1	p2	q	r	r1	s	t	u	v	w	x	y	z
285	315	172	49	-	255	225	G 1" 1/2	102	-	-	12	95	171	222	160	18	70	15	4	M6	175	195	188	120	-	18

INSTALLATION

- For proper operation of the machine, it must be provided with a suction FILTER and a vacuum/pressure limiting VALVE.
- Other accessories are available on request.
- Permissible ambient and fluid temperature in suction from -15 °C to +40 °C.
- Read the instruction manual carefully before installing the machine.