

# MACP300L series

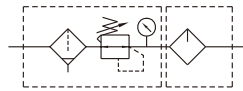
AIR UNIT (F.R.L.UNIT)



## Features

Longer case for adapting high efficient auto drain valve.

## Symbol



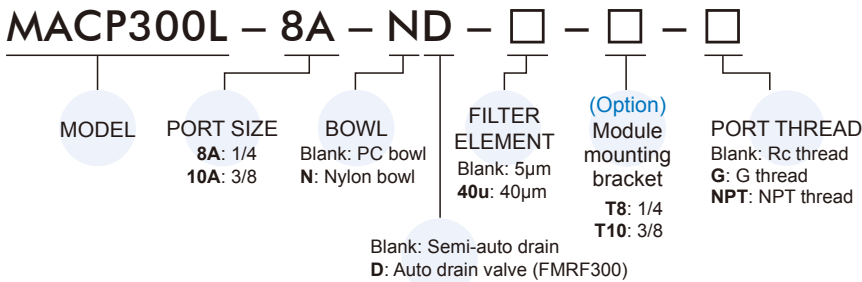
## Specification

Model	MACP300L	
Components	MAFR300L, MAL300L	
Bore No.	8A	10A
Port size	1/4	3/8
Medium	Air	
Operating pressure range (*)	0.05~1 MPa	
Proof pressure	1.5 MPa	
Regulated pressure range	0.05~0.85 MPa	
Ambient temperature	- 5~+60°C (No freezing)	
Filter element	Standard: 5µm, Option: 40µm	
Lubricating oil capacity	65c.c	
Min. flow for oil drip	50 ℓ/min	60 ℓ/min
Recommended lubricating oil	Turbine oil ISO-VG32	
Attachment	Pressure gauge(PG-40), T-type bracket	
Weight	739 g	

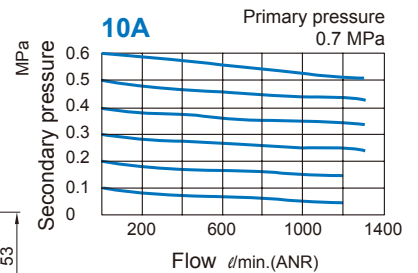
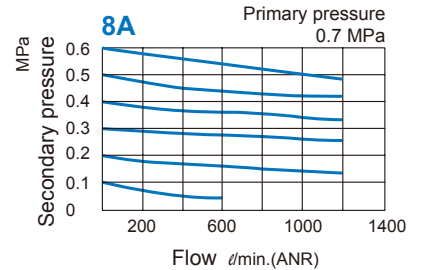
\* Standard unit contains semi-auto-drain function when operating pressure below 0.05 MPa.

\* Choose auto-drain FMRF300, the pressure range is 0.15~1 MPa.

## Order example

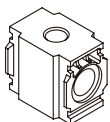
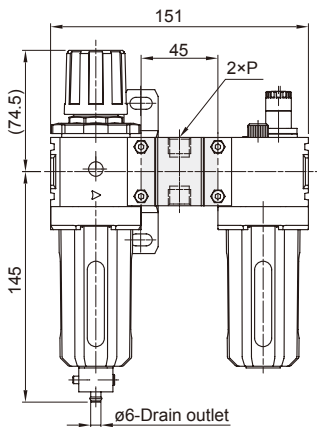


## Flow feature



### MACP300L-T\*

Module mounting bracket



Port Bracket	P
T8	1/4
T10	3/8

### MACP300L-D

Auto drain valve

