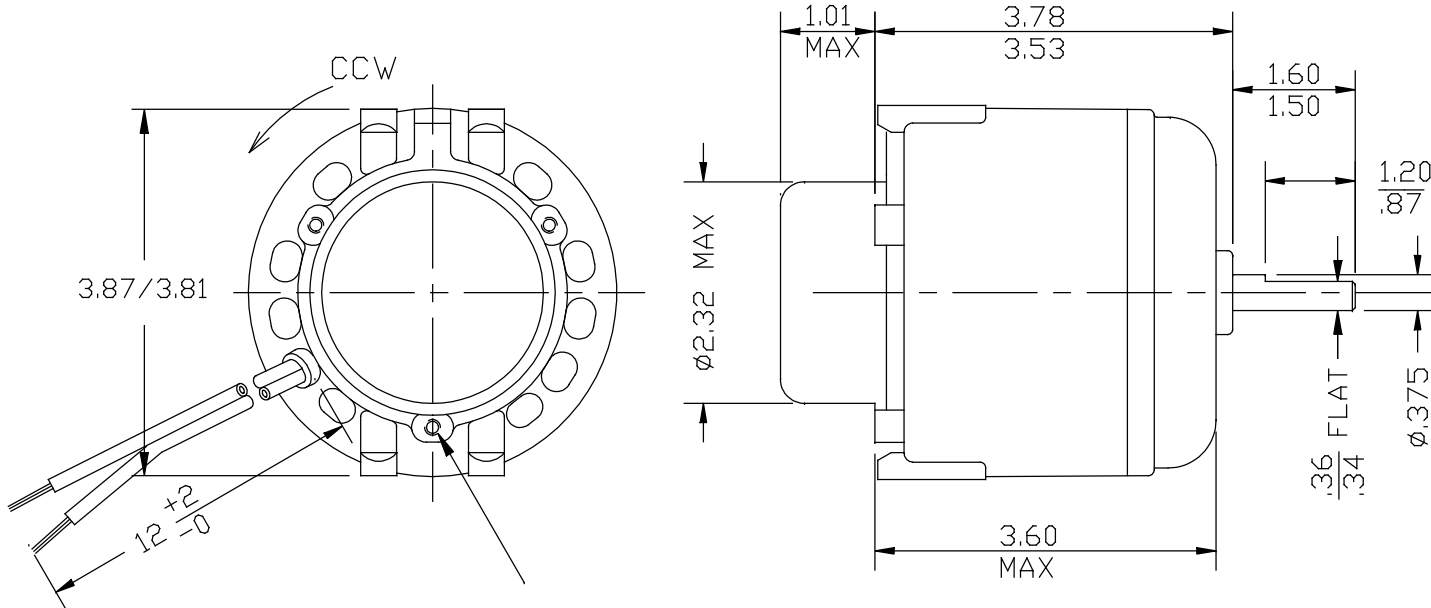


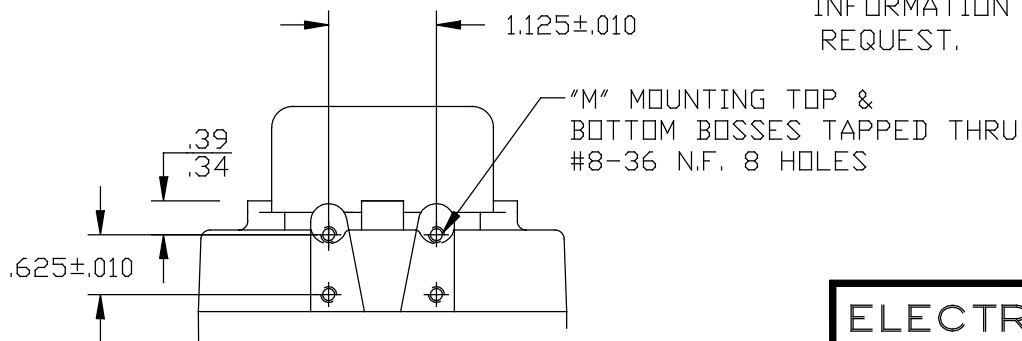
NO. A-25401

NO.	REVISIONS	DATE AND SIGNATURE
1	lead length was 22"	4-6-11
2	new cust. no.	6-6-11
3	UPDATED CUST NO.'S	4-24-12



3 #8-36 TAPPED HOLES
SPACED 120° APART ON A
2.813 DIA. CENTER LINE.

OUTLINE DIMENSIONS ON WHICH NO LIMIT IS SPECIFIED ARE NOMINAL AND NOT GUARANTEED AS TO TOLERANCE. ADDITIONAL INFORMATION ON TOLERANCE WILL BE FURNISHED ON SPECIFIC REQUEST.



ESP-OL50EMVR2
230V 60/50HZ CCW
CUST NO. MTRF024101

TOLERANCE
.0000=±.0002 .000=±.005
.00=±.010 FRACTION=±1/64
0°=±30' 0°0'=±5' 0°0'0'=REF. ONLY
ABOVE TOLERANCES APPLY UNLESS
OTHERWISE SPECIFIED. TOLERANCES
ARE NOT ACCUMULATIVE.

ELECTRIC MOTORS AND SPECIALTIES INC.			
115V 60/50HZ CCW GARRETT, INDIANA 46738			
FIRST MADE FOR ESP-OL50EMVR1 ABB		MATERIAL CUST NO. MTRF012101	
DRAWN BY JIM NICTER	DATE 3-1-11	SCALE 1/2 SIZE	APPROVED BY DATE
TITLE MOTOR OUTLINE			NO. A-25401