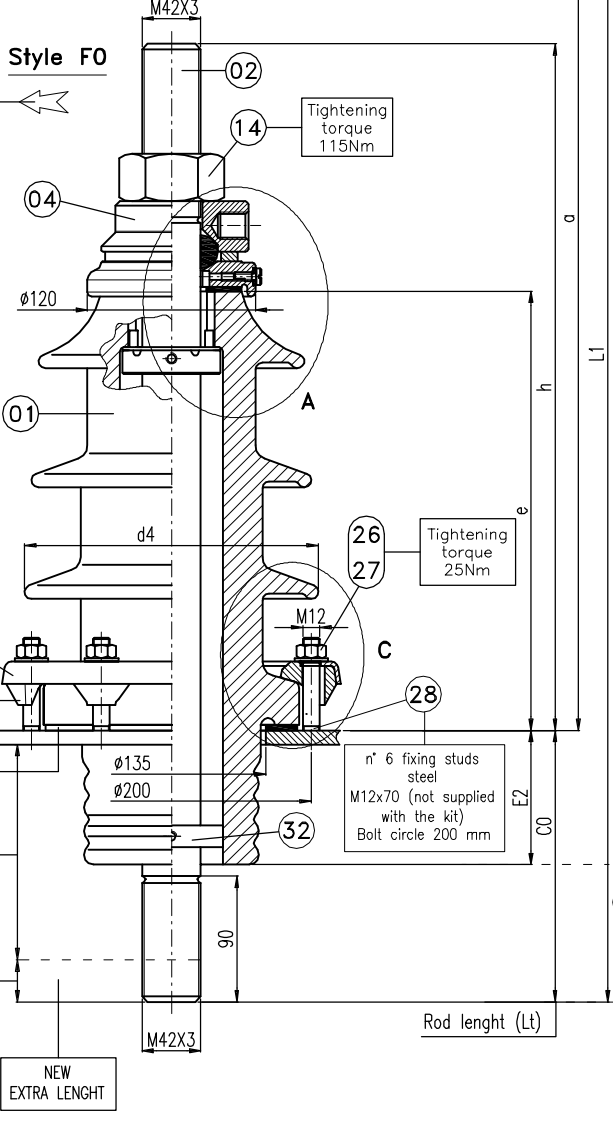
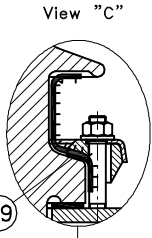
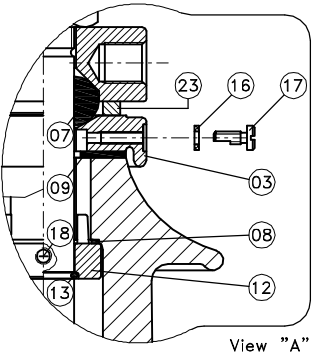


**CANTILEVER OPERATING LOAD**  
 - VERTICAL: 1000 N  
 - INCLINED 30°: 600 N  
 - OPERATING TEST LOAD: 2000 N



Pos.	Description
1	Porcelain
2	Copper rod
3	Brass cap "B"
4	Brass top washer "F"
7	NBR ring gasket "J"
8	Gasket "O"
9	NBR gasket "M"
10	NBR Flange gasket "N"
11D	Brass flag Esec. DIN
11U	Brass flag Esec. UNEL
12	Brass ring "P"
13	Copper ring "S"
14	Brass nut M42 DIN 934
16	Fiber gasket
17	Vent/screw "R"
18	Locking screw
23	Bronze contact ring "U"
24	Aluminium fixing ring "D" DIN 42538 (AISI304)
25	Aluminium clamping piece "F" DIN 42538
26	Nuts M12 DIN934 (AISI304)
27	Washer 13 (AISI304)
28	Fixing stud M12x70 (not supplied)
29	Brass nut M42 DIN934
30	Brass locknut M42 DIN936
31D-U	Brass flag Esec. DIN or UNEL
32	Center ring
39	Copper spacer ring

30F/2000 upon request can be supplied with metalization (30F/2000.M)

Size "b" as old DIN 42533

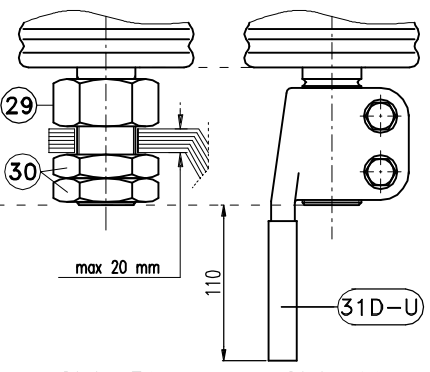
New CEDASPE "2009 series" Size CO=30mm+"b"DIN 42533

NEW EXTRA LENGHT

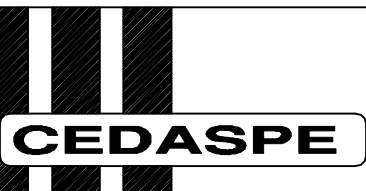
Bushing Acc. to IEC 60137 ed. 6.0

Bushing	Voltage kV	Current A	Creepage distance mm	PF I' kV	BIL kV	a mm	C0 mm	d4 mm	e mm	E2 mm	h mm	L1 mm	Z n° of sheds	G.W. Kg	Rod LT mm
10F/2000	12	2000	290	30	75	530	188	190	239	86	417	718	2	25	605
20F/2000	24		440	55	125	605	198	210	314	96	492	803	3	29	690
30F/2000	36	2000	680	77	170	710	228	230	419	121	597	938	4	35	825
30F/2000.M			585*												

NOTE \*: Reduced CD for porcelain with metalization



THE FIGURE SHOWS THE BUSHING 20F/2000 (1:5 SCALE)



Titolo **OUTDOOR TRANSFORMER BUSHING**  
**DIN 42533 (UNEL 38174/74)**  
**RATED CURRENT 2000A**  
**VOLTAGE 12 TO 36kV**

Data **11/03/13**  
 Scala **1:5**  
 Dis.  
 Visto

Dis. Nr **3805**

1	2			
---	---	--	--	--